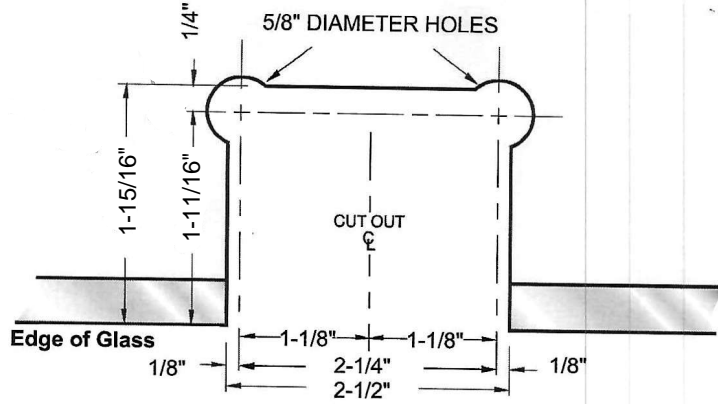
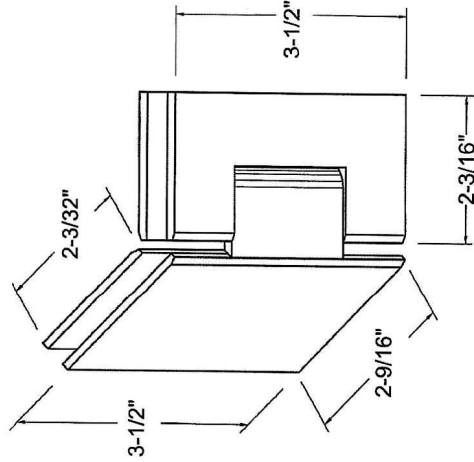


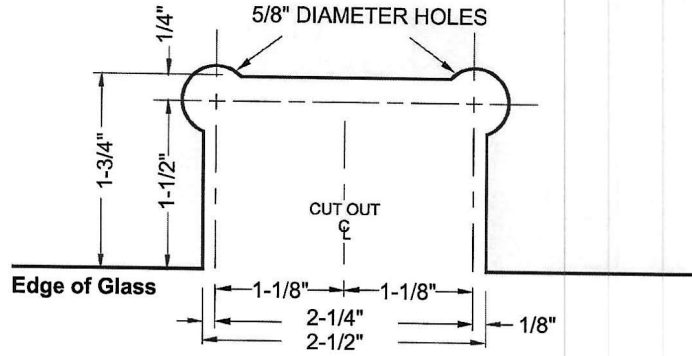
8131 Keele Street Unit 4  
Concord Ontario L4K 1Z2

Info@linkhardware.ca  
Tel 905 761 5656

www.linkhardware.ca



45° Mitered Fixed Panel



Square Cut

## 135° Glass-to-Glass Hinge

CAT. NO. S045 / S345

### Specifications:

Glass Sizes: 3/8" to 1/2" thick tempered safety glass

Cutout Required

Includes: Gaskets, screws and template

### Maximum Door Capacities for Two Hinges or Three Hinges

Maximum Door Weight: 80 lbs. 120 lbs.

Maximum Door Width: 28" 32"

### Use of Gaskets:

For 3/8" Glass: Use one thick gasket on each side

For 1/2" Glass: Use one thin gasket on each side

### Recommendations:

We recommend the use of only tempered safety glass. Do not use power tools when installing these hinges.