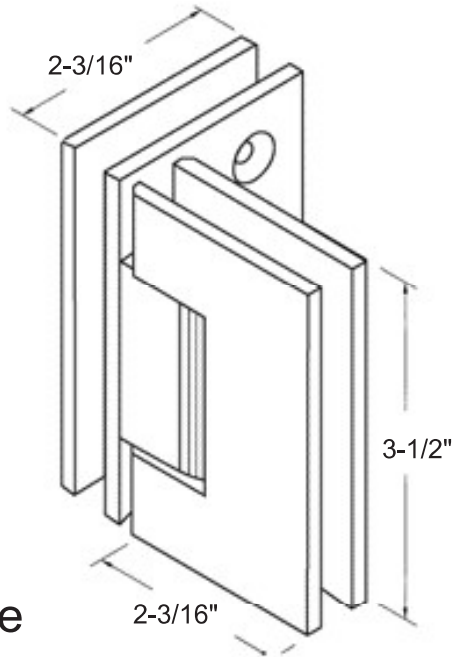




8131 Keele Street Unit 4  
 Concord Ontario L4K 1Z2

Info@linkhardware.ca  
 Tel 905 761 5656

www.linkhardware.ca



## Wall Mount Hinge

CAT. NO. S092

### Specifications:

Glass Sizes: 3/8" to 1/2" thick tempered safety glass  
 Cutout Required on Fixed Panel and Door  
 Includes: Gaskets, screws and template

### Maximum Door Capacities for Two Hinges or Three Hinges

Maximum Door Weight:	80 lbs.	120 lbs.
Maximum Door Width:	28"	32"

### Use of Gaskets:

For 3/8" Glass: Use one thick gasket on each side  
 For 1/2" Glass: Use one thin gasket on each side

### Recommendations:

We recommend the use of only tempered safety glass. Do not use power tools when installing these hinges.

