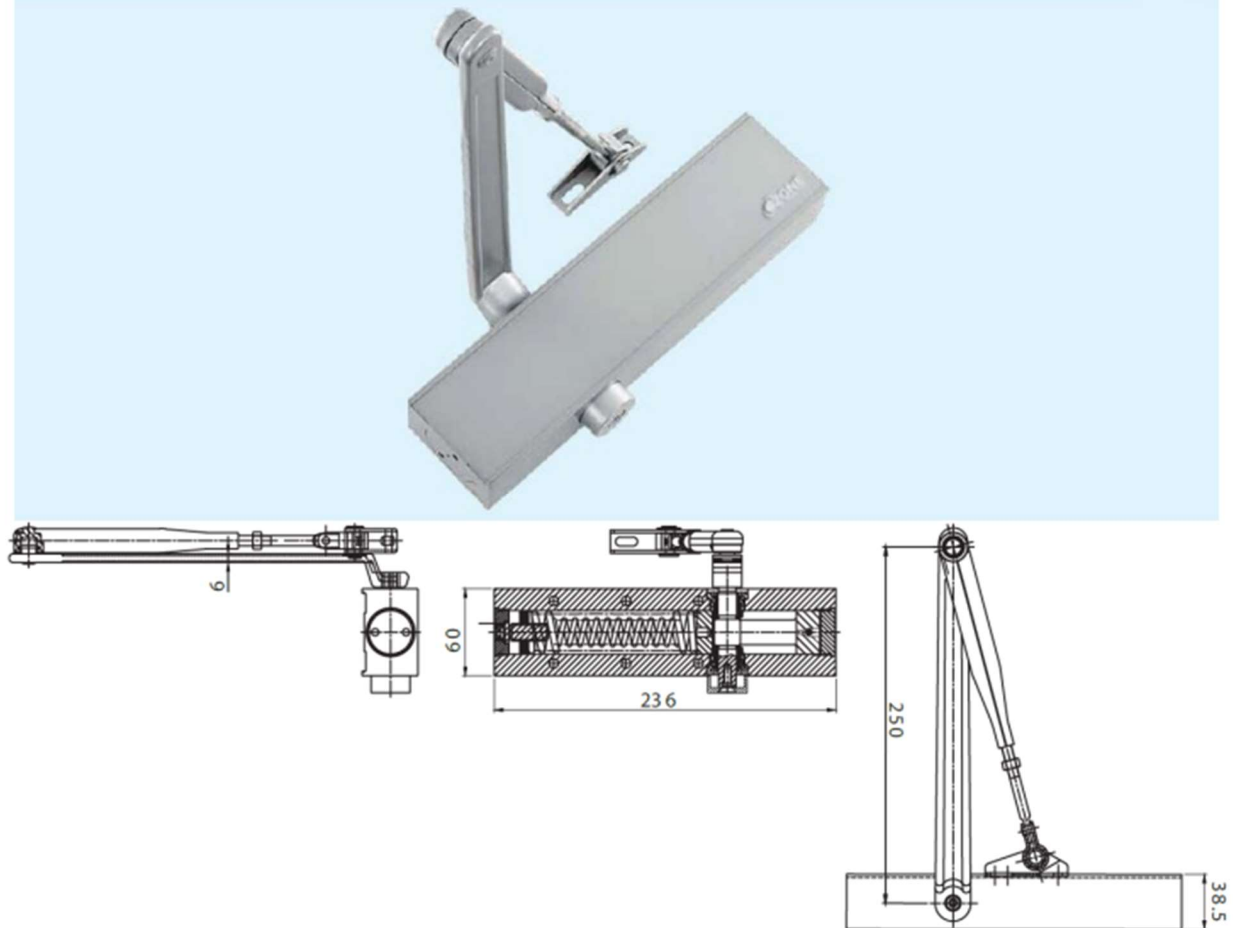


## OVERHEAD DOOR CLOSER



### Rack & Pinion Door Closer with Adjustable closing force EN 2-5

- Easy opening action
- Adjustable closing speed in two independent ranges (120°-15° and 15°-0°)
- Non handed design
- With track arm
- Adjustable back check
- Tested to EN 1154
- Maximum door weight-up to 100Kg.
- Maximum door width-1250mm
- Fire tested and certified by Warrington APT Laboratories.UK
- Test certificate available on request
- Can be mounted to door leaf and transom
- Finish: Silver, Black,

# OVERHEAD DOOR CLOSER

Rack & Pinion Door Closer with Adjustable closing

**NSK  
780**

## DATA AND FEATURES

Variable closing force	Spring strength(EN)	2 to 5
Standard doors	≤850mm    ≤40kg ≤950mm    ≤60kg ≤1100mm   ≤80kg ≤1250mm   ≤100kg ≤1450mm   ≤120kg	NSK-780 NSK-780 NSK-780 NSK-780 X
Body Dimensions(mm)	Length Height Projection	236 60 39
Arm	Standard Parallel Track (standard) Track (hold-open)	✓ ○ ○ ○
Rack and pinion Power shoe arm bracket Angle of opening Power adjustable by spring Power adjustable by position Sweep speed adjustable Latching speed adjustable		✓ ✓ 180° ✓ X ✓ ✓
Hold-open	Built in Hold open arm	X ○
Back Check	Self-regulating Adjustable at valve	X ✓
Delayed action adjustable Non-handed With cover		✓ ✓ ○
Application	Regular (1) Parallel arm (66) Transom (61)	✓ ○ ✓
Guarantee/years		5years

✓=yes X=no ○=optional

## OVERHEAD DOOR CLOSER

### Rack & Pinion Door Closer with Adjustable closing

#### GUARANTEE:

A free replacement ex-works of any closer proved defective by reason either of faulty manufacture or defect in materials.

#### POWER SHOE ARM BRACKET:

Designed to be reversed to increase final closing power by approximately 15%.

#### BACK CHECK:

Provides a cushioning effect when the door is forcibly thrown open but does not serve as substitute for a door stop.

#### DELAYED ACTION:

Provides prolonged closing time to assist passage of trolleys, wheel chairs, elderly people etc.

### Plate for Mounting Door Closer on Glass

