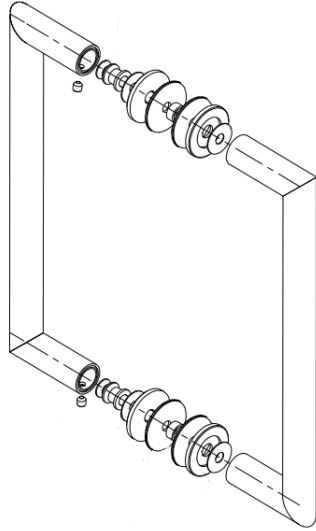




Mitered Back-to-Back Handles



Part #	Hole-to-Hole Size
M6X6	6"
M8X8	8"
M12X12	12"
M18X18	18"
M24X24	24"

- **3/4" Brass Tubing**
- **Requires 1/2" Holes**