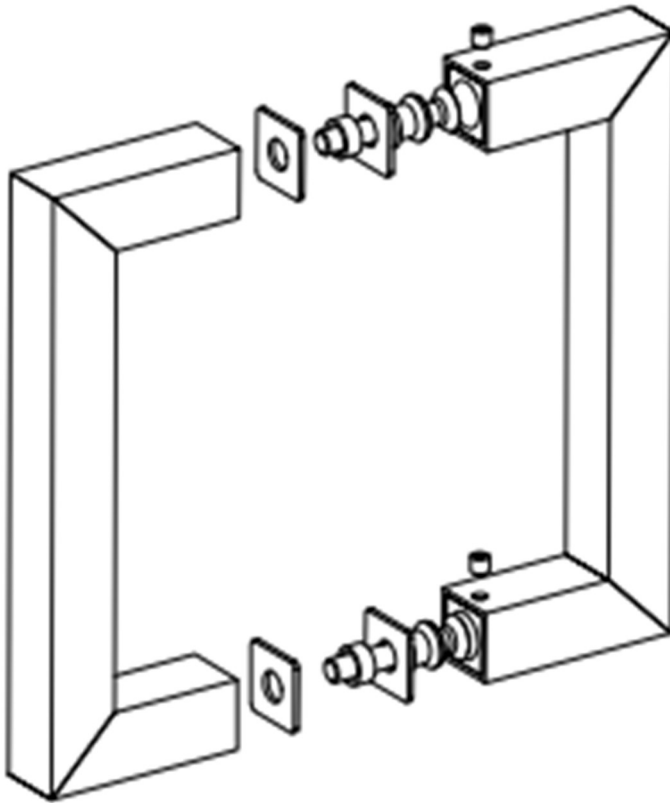




PART #	HOLE-TO-HOLE SIZE
S6X6	6"
S8X8	8"
S12X12	12"
S18X18	18"
S24X24	24"



- 3/4" SQUARE BRASSTUBING
- REQUIRES 1/2" HOLES