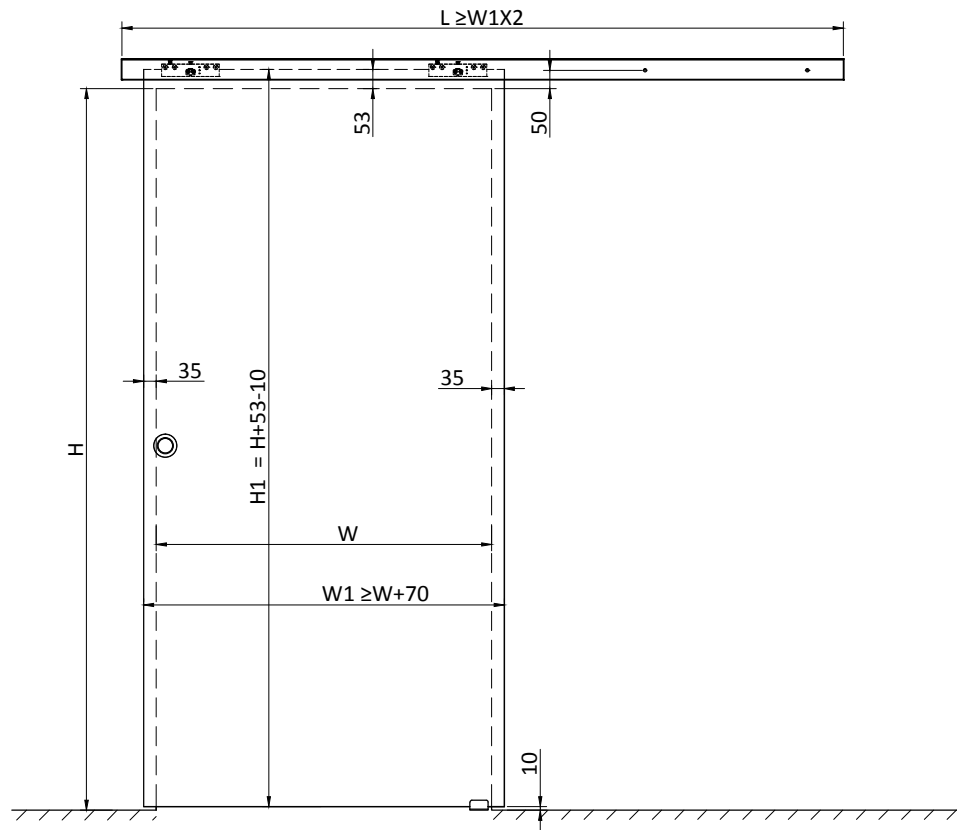
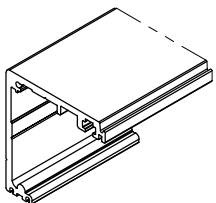
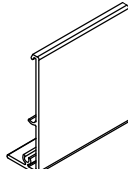

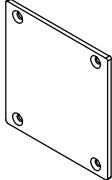
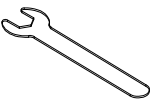
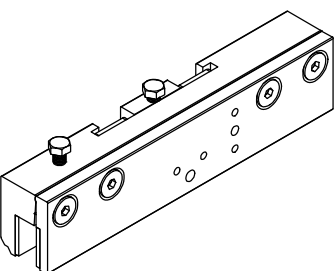
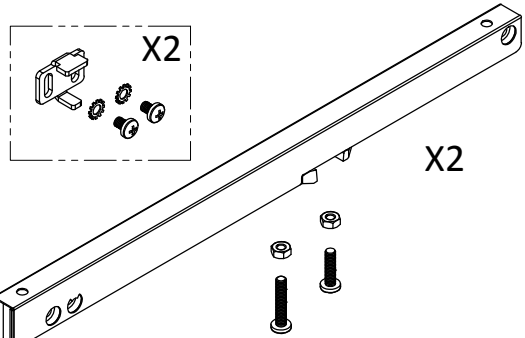
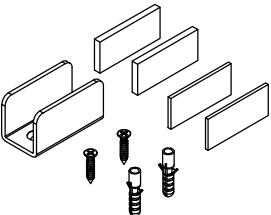
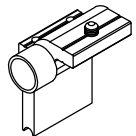
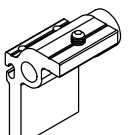


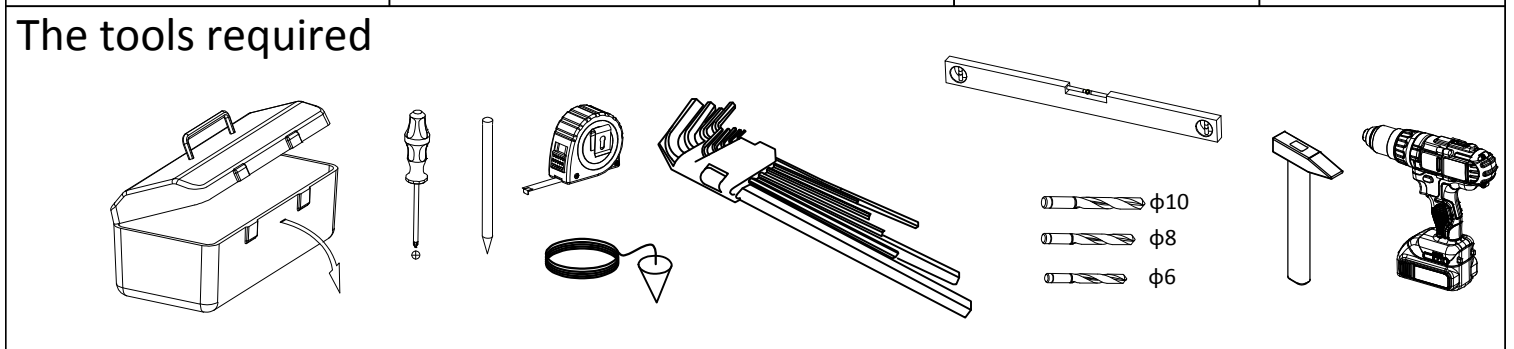
SDS-C 01 Installation instruction



Parts list

 <p>X1</p>	 <p>X1</p>	 <p>2-3Pcs Per 1m</p>	 <p>X2</p>	 <p>X1</p>
 <p>X4</p>	 <p>X2</p>	 <p>X2</p>	 <p>X2</p>  <p>X2</p>	

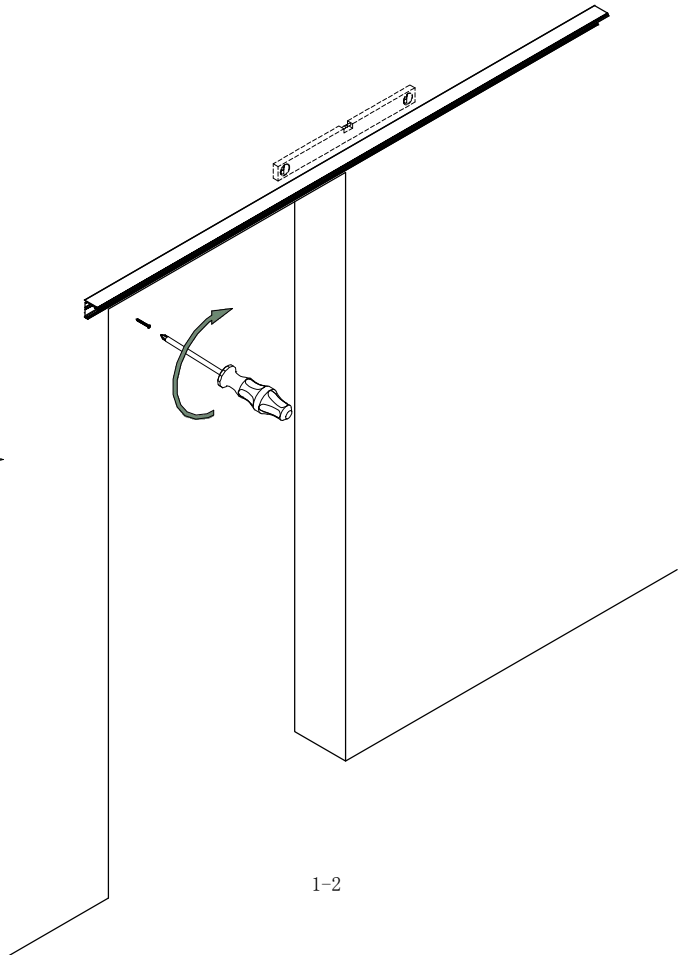
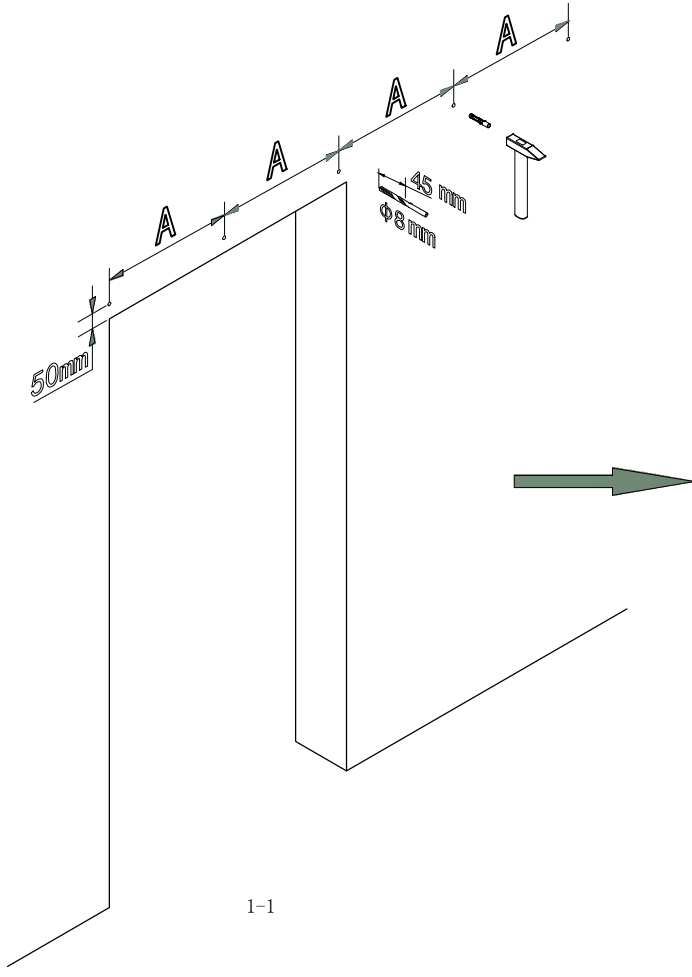
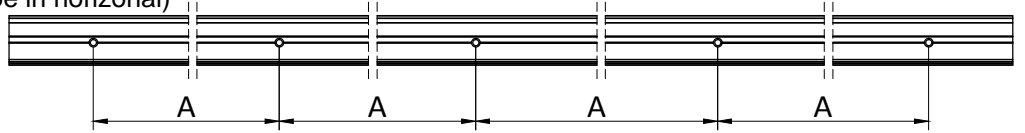
The tools required



1 Track installation

1-1 Drill dia 8 mm hole on wall according to the screw hole position of the track fill in the plastic plug

1-2 Install the track(The track must be in horizontal)

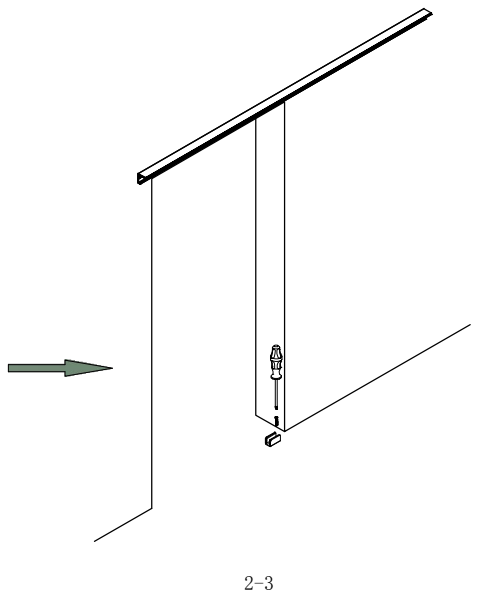
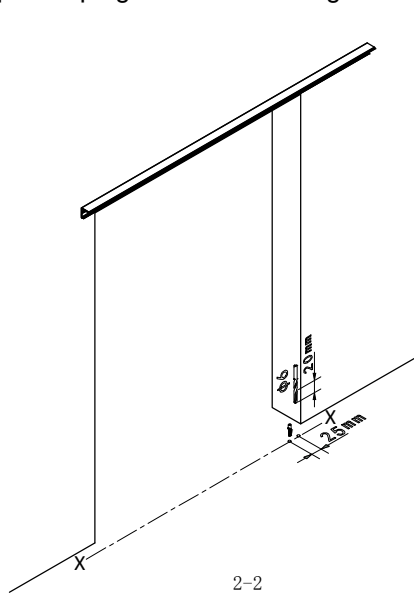
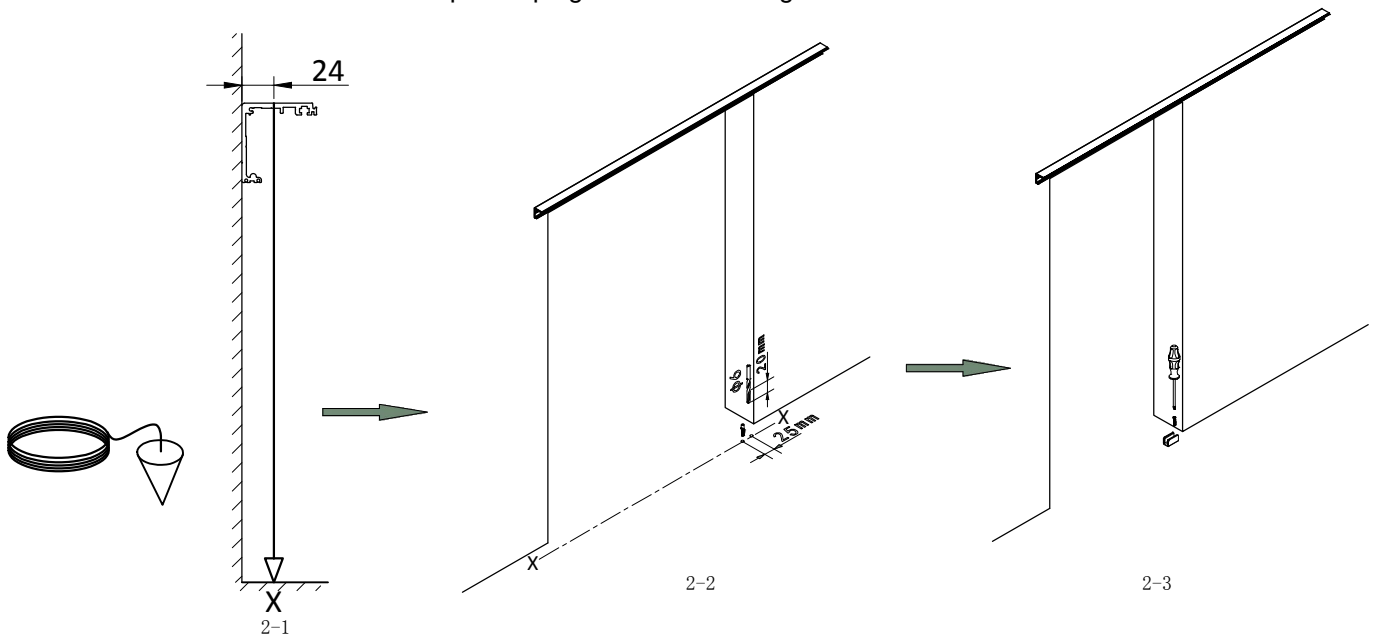


2 Door guide installation

2-1 Mark the installation position X 24mm away from the wall with a plumb bob

2-2 Drill dia 6 in depth 20mm

2-3 Insert plastic plug and install door guide

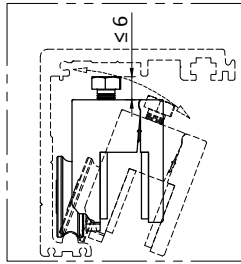


3 clamp installation

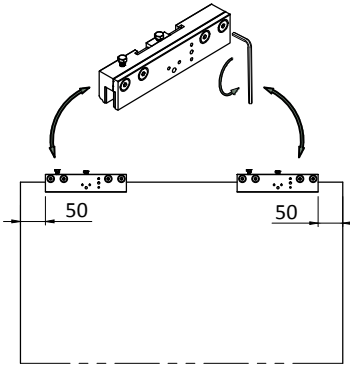
3-1 Loosen the set screws
(it can through the thickness of the door)
3-2 It should leave 1mm gap
between the top of and the
clamp

3-3 Tighten the screws with
12N.m torsion

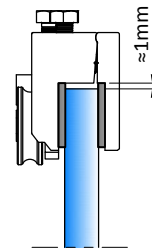
3-4 make sure the anti-jump
disk below 6mm for
installation



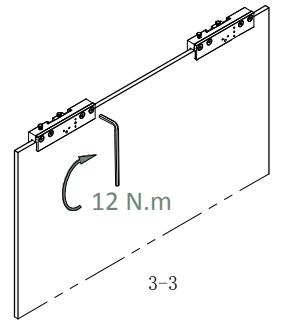
3-4



3-1



3-2



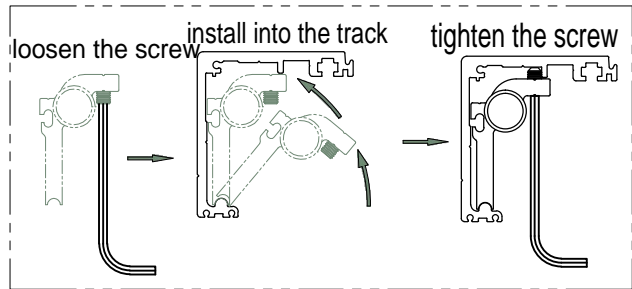
3-3

4 Door installation

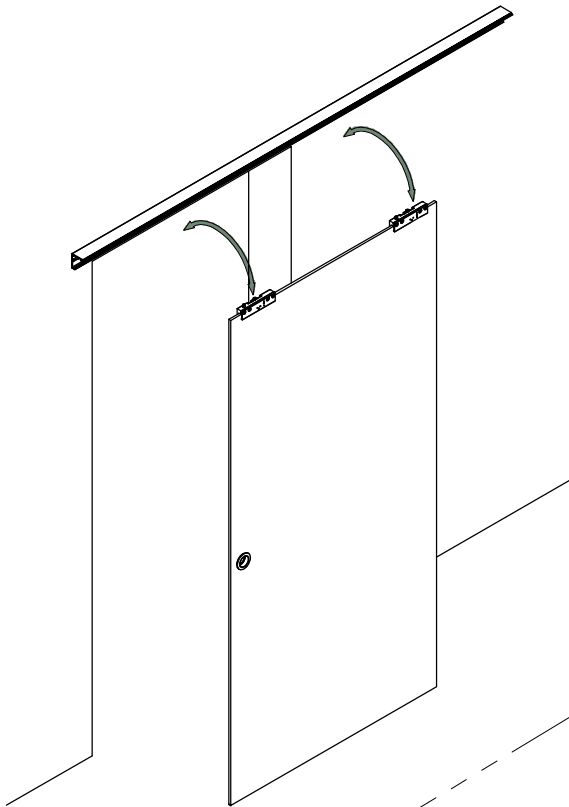
4-1 Pre install the door stoppers and slightly tighten it.
It is prevent the door silp off the track

4-2 install door in the track

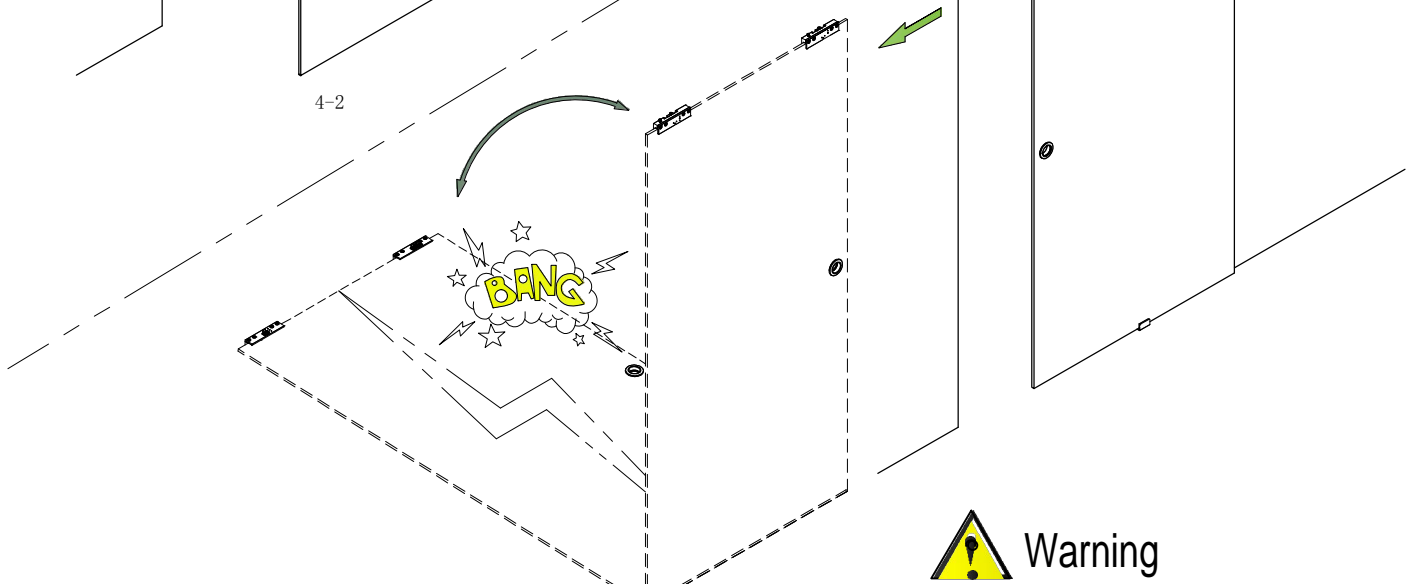
4-3 Close/open the door to the extreme position and decide
the door stopper position accordingly then tighten the door
stoppers



4-1



4-2



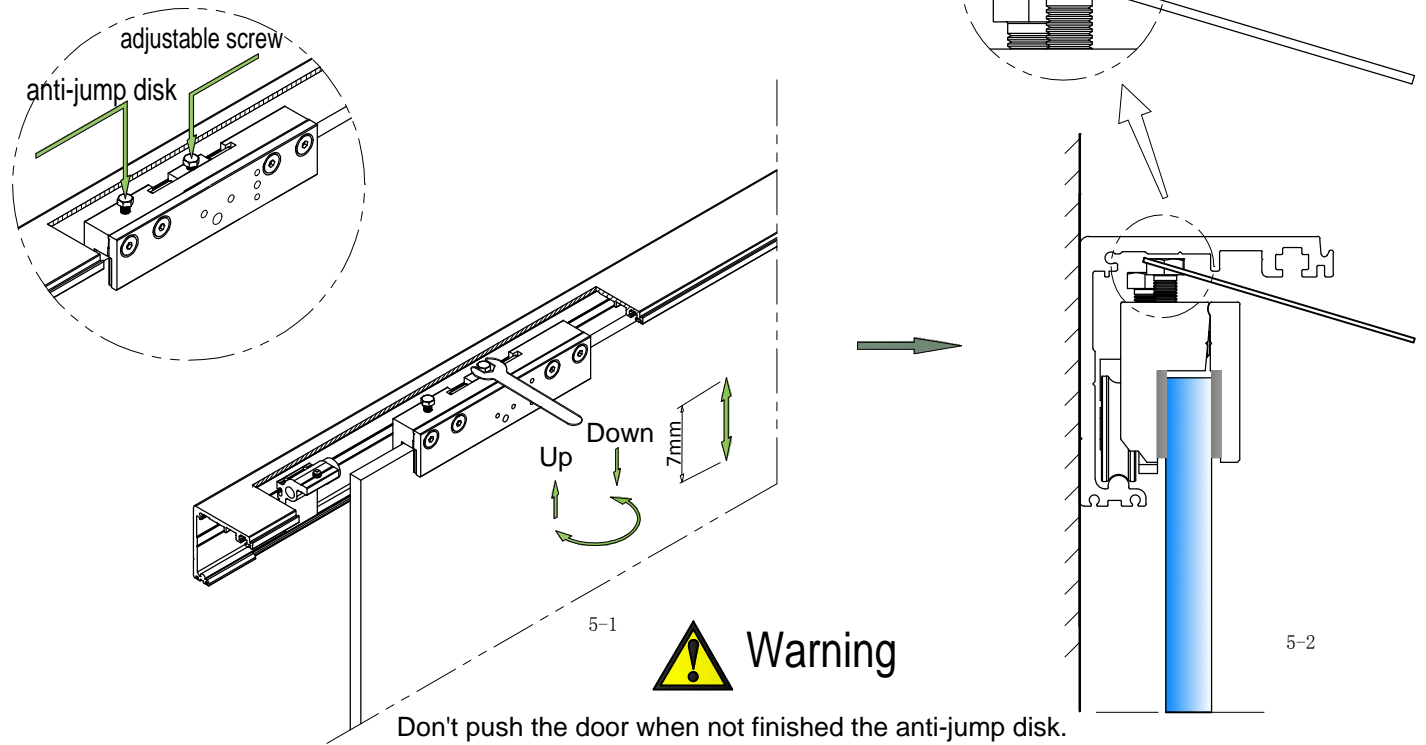
Warning

In case the door will silp off the track,do not push the door before install the door stoppers

5 Adjusting the door

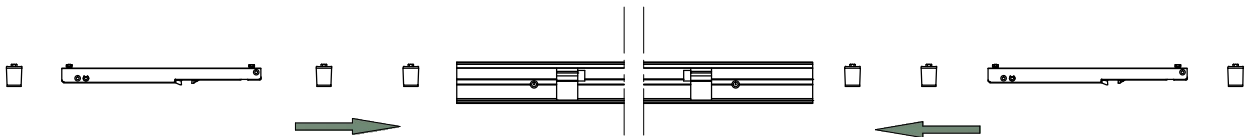
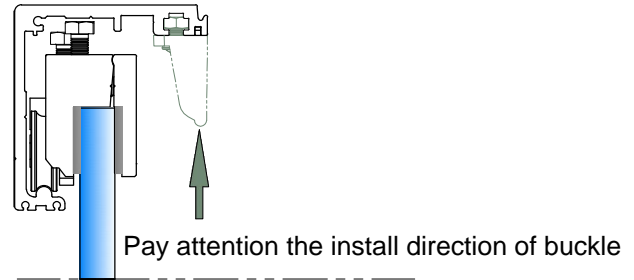
5-1 Adjust door height and verticality by the adjusting screw.

5-2 Adjust the height of the anti-jump disk



6 Soft-closer and accessories installation

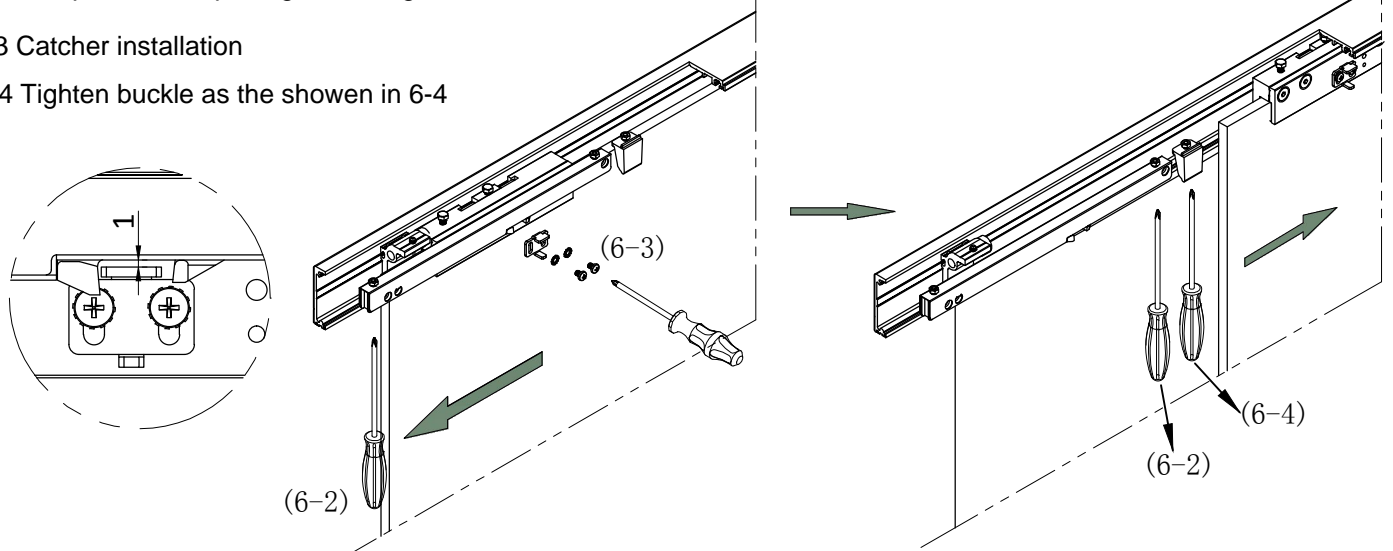
6-1 Slide the accessories into the track in order as the below picture shown



6-2 Make sure the soft-close position and tighten, base on extreme position in opening or closing door (Right side and left side is the same)

6-3 Catcher installation

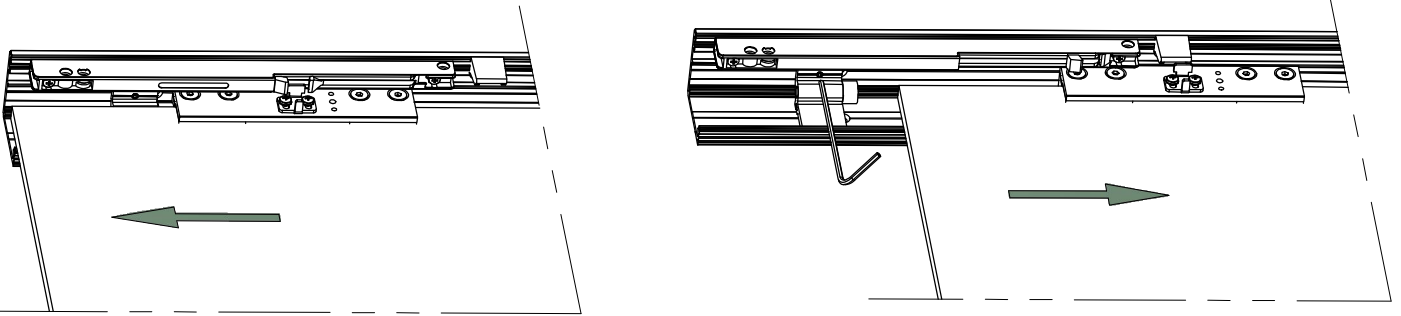
6-4 Tighten buckle as the shown in 6-4



7 Door stopper installation

7-1 open/close the door to the extreme position under the effect of the soft close
Move the door stoppers to the suitable position and fix them

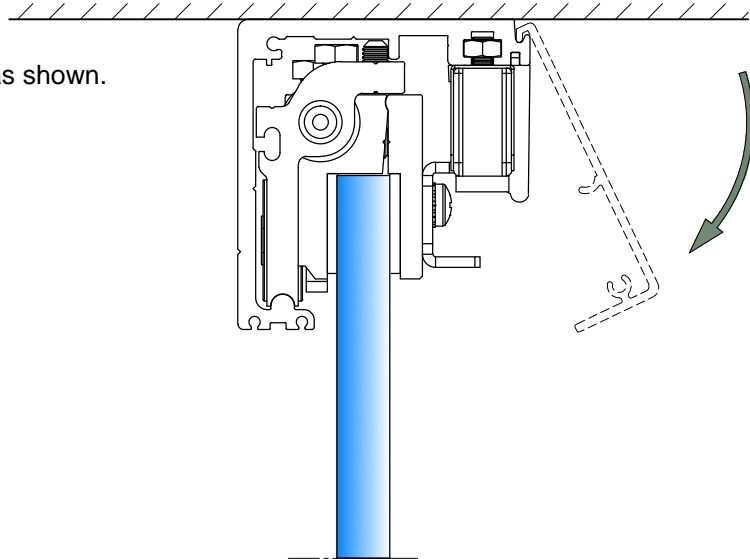
7-2 Right side and left side is the same



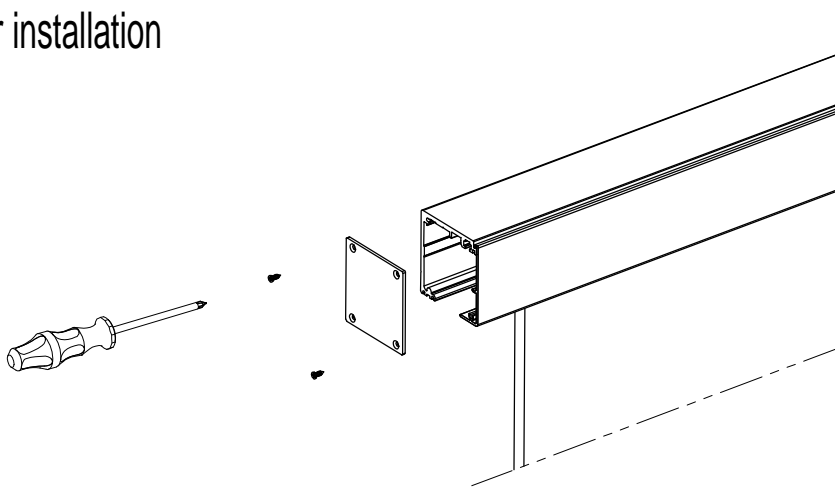
8 Decorative cover installation

8-1 Tighten the buckle in the track.

8-2 Install decorative cover in the track as shown.



9 Side cover installation



Right side and left side is the same