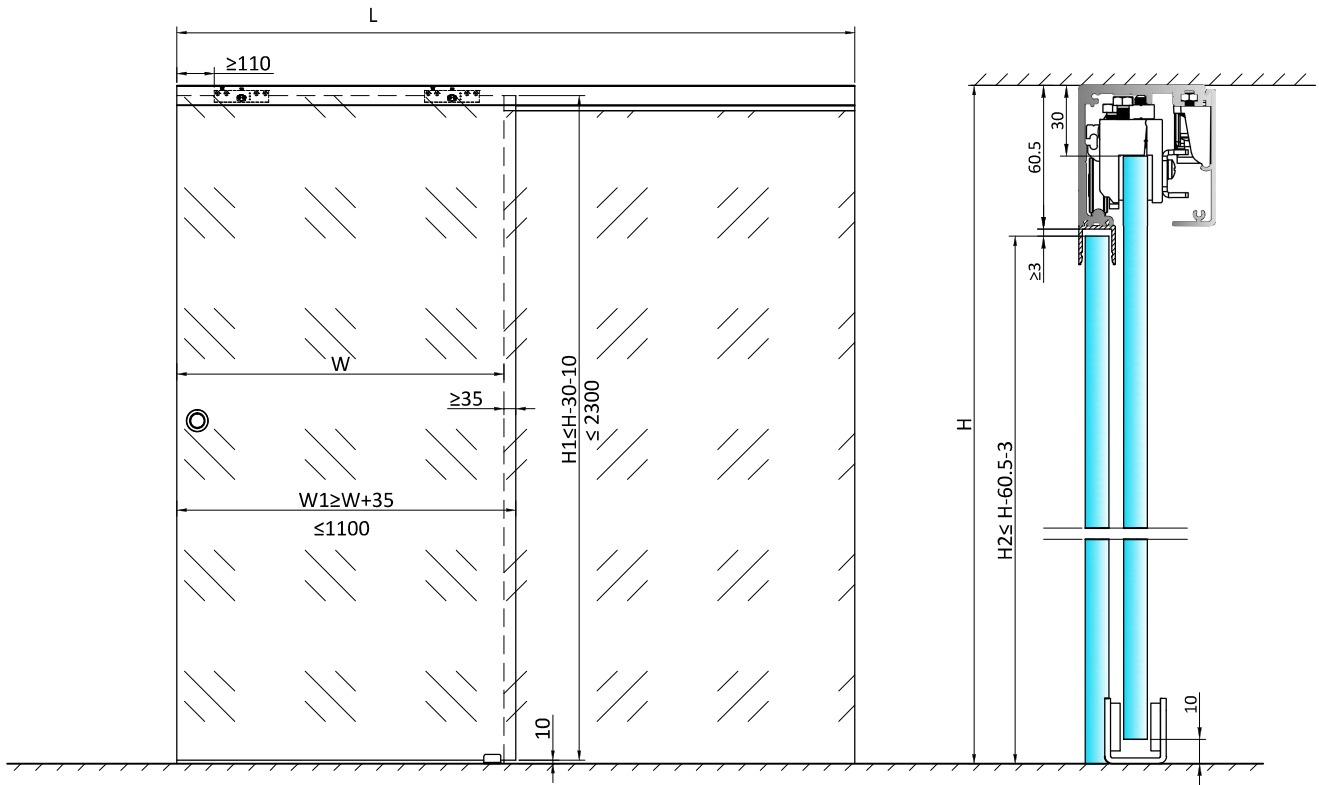
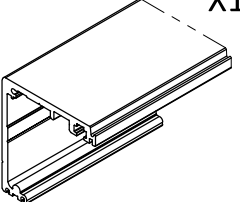
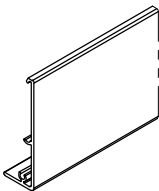
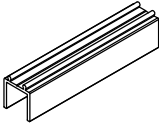
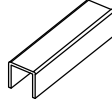

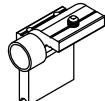
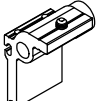
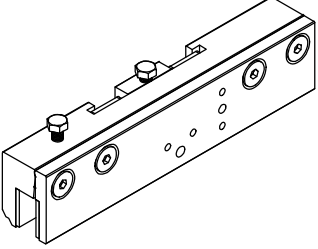
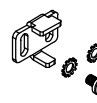
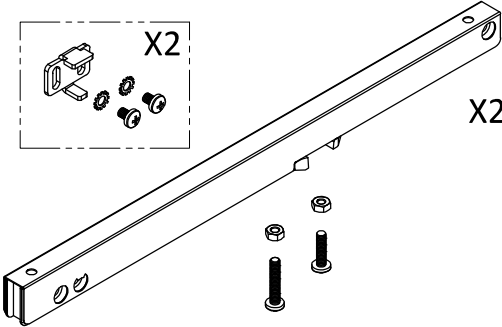
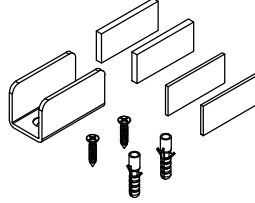



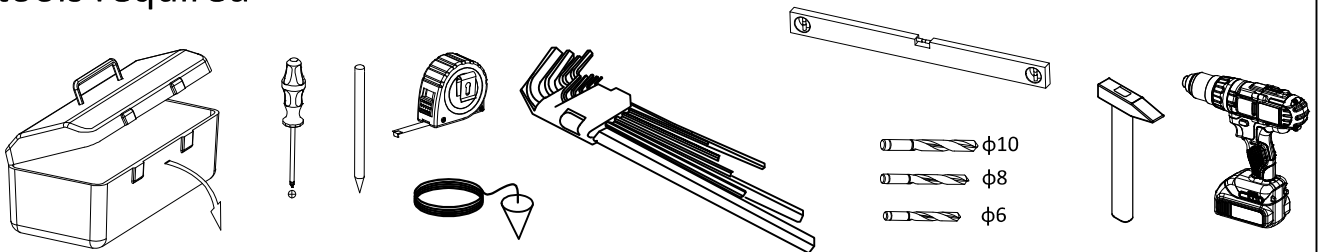
SDS-C 01 Installation Instruction with U type Profile



Parts list

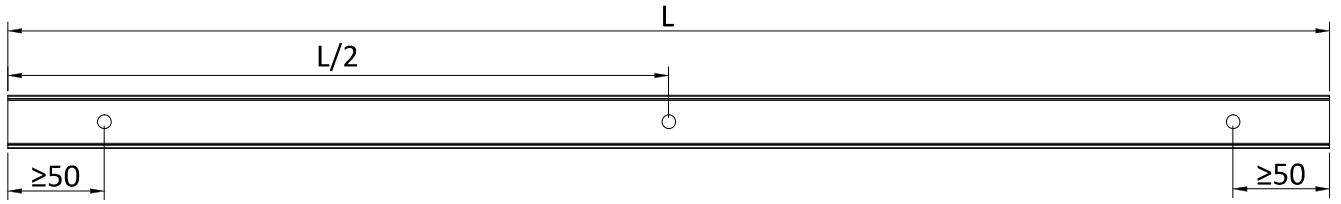
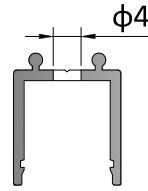
 X1	 X1	 X1	 X3	 3Pcs Per 1m	 X1	 X1
 X2	 X2	 X2	 X1	 X1		

The tools required



1 Drill the holes for the U type Profile

1-1 Drill the dia 4mm holes for the U type profile, Quantity ≥ 3



2 Track Installation

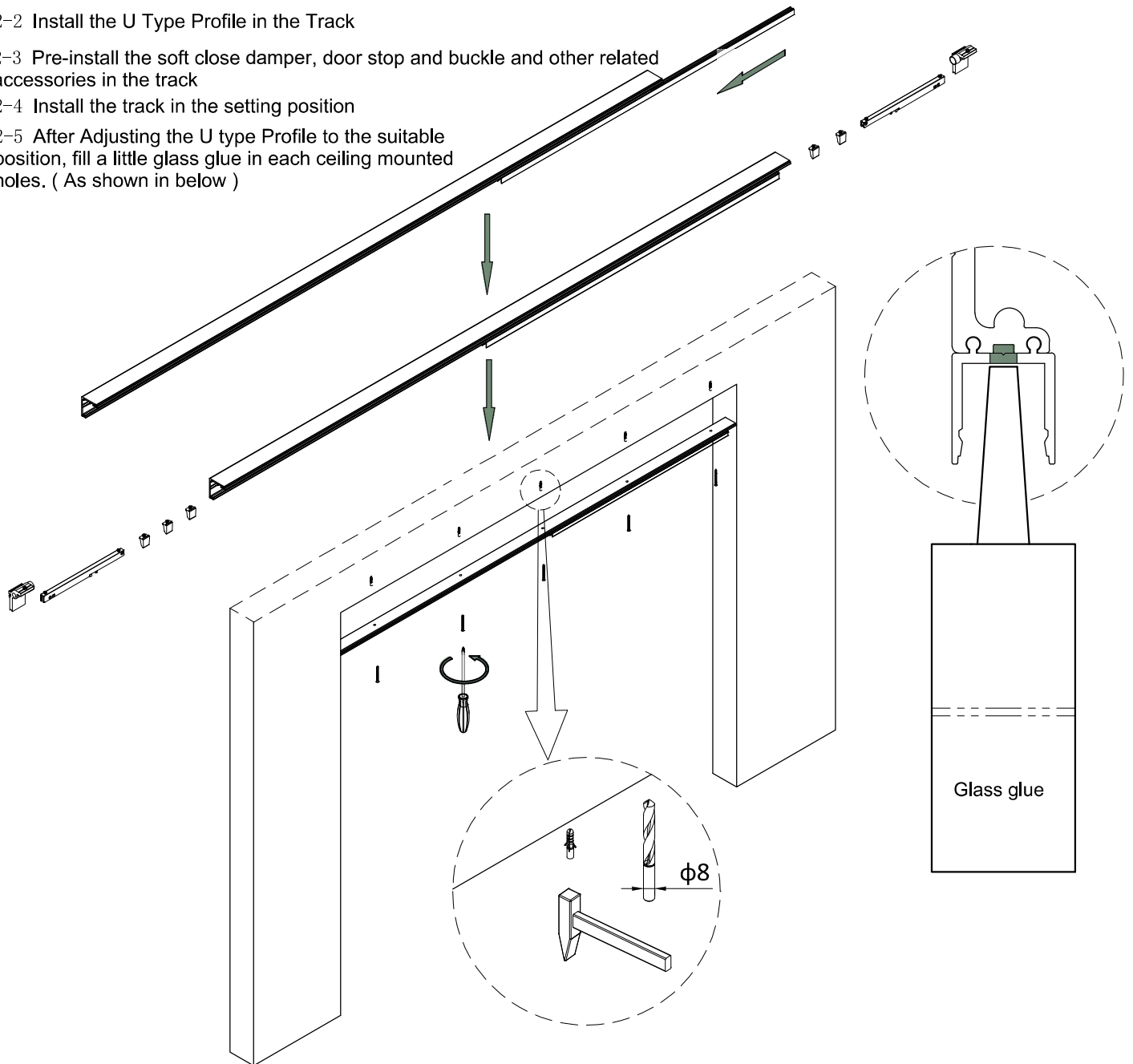
2-1 Drill the holes (dia 8X45mm) on the ceiling and insert the plastic plug

2-2 Install the U Type Profile in the Track

2-3 Pre-install the soft close damper, door stop and buckle and other related accessories in the track

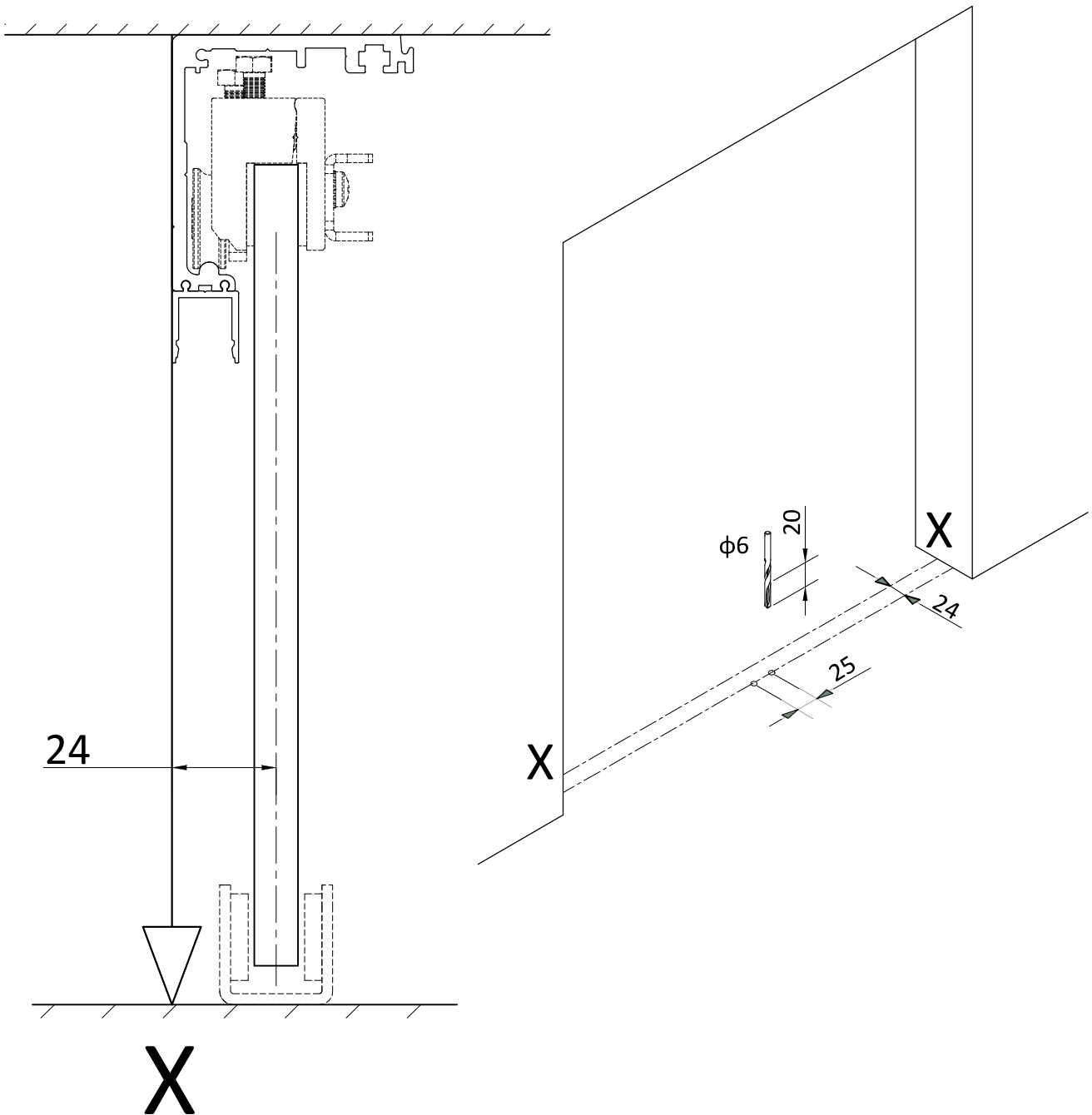
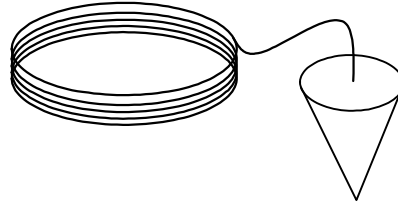
2-4 Install the track in the setting position

2-5 After Adjusting the U type Profile to the suitable position, fill a little glass glue in each ceiling mounted holes. (As shown in below)



3 Door Guide Installation

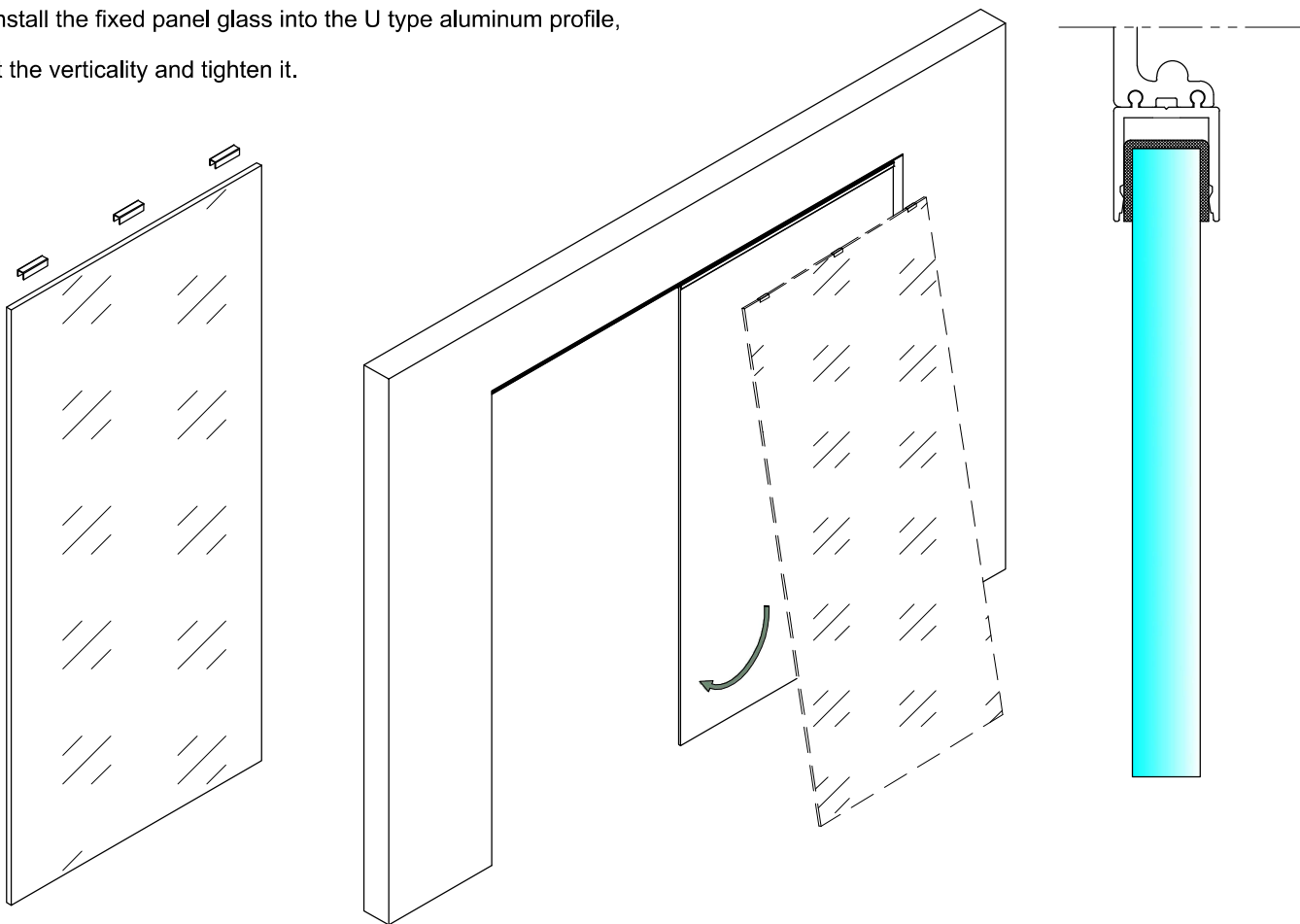
- 3-1、 Find the baseline X-X by the plumb bob, and make 24mm away from X-X as the installation standard of the door guide. (As shown in below)
- 3-2、 Drill the dia 6mm holes in depth 20mm.
- 3-3、 Insert the plastic plug and install the door guide.



4 Fixed Panel Glass Installation

4-1 Mount the U type plastic clips on the fixed panel glass.

4-2 Install the fixed panel glass into the U type aluminum profile, adjust the verticality and tighten it.



5 Clamp Installation

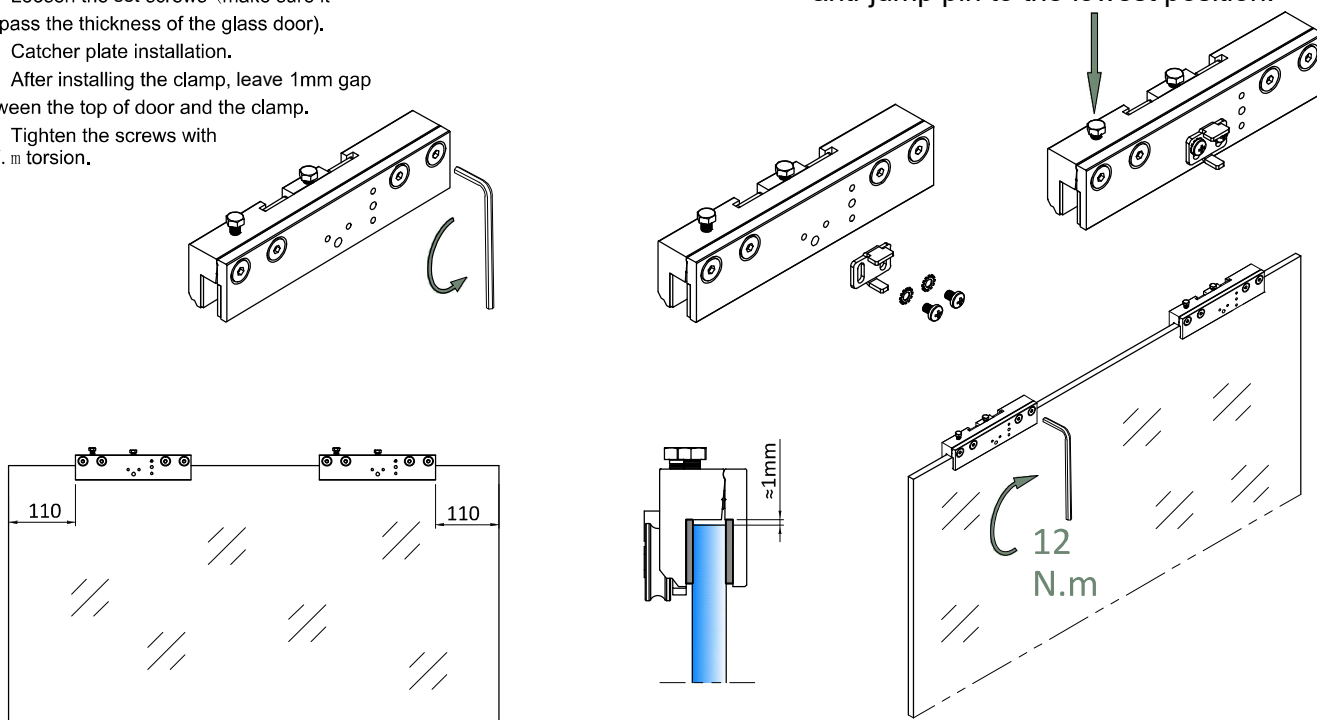
5-1 Loosen the set screws (make sure it can pass the thickness of the glass door).

5-2 Catcher plate installation.

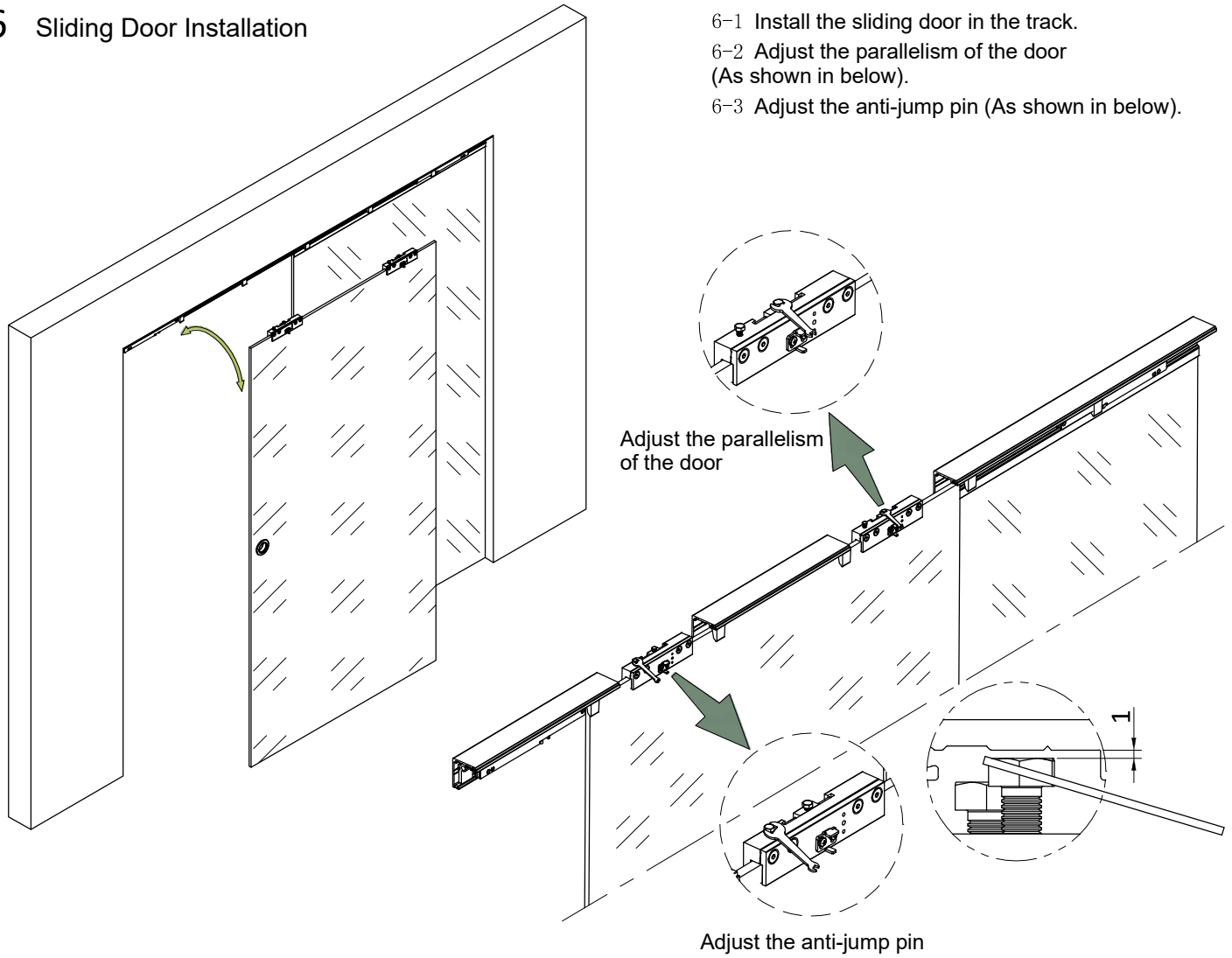
5-3 After installing the clamp, leave 1mm gap between the top of door and the clamp.

5-4 Tighten the screws with 12 N.m torsion.

Note: For ease of installation, adjust the anti-jump pin to the lowest position.



6 Sliding Door Installation

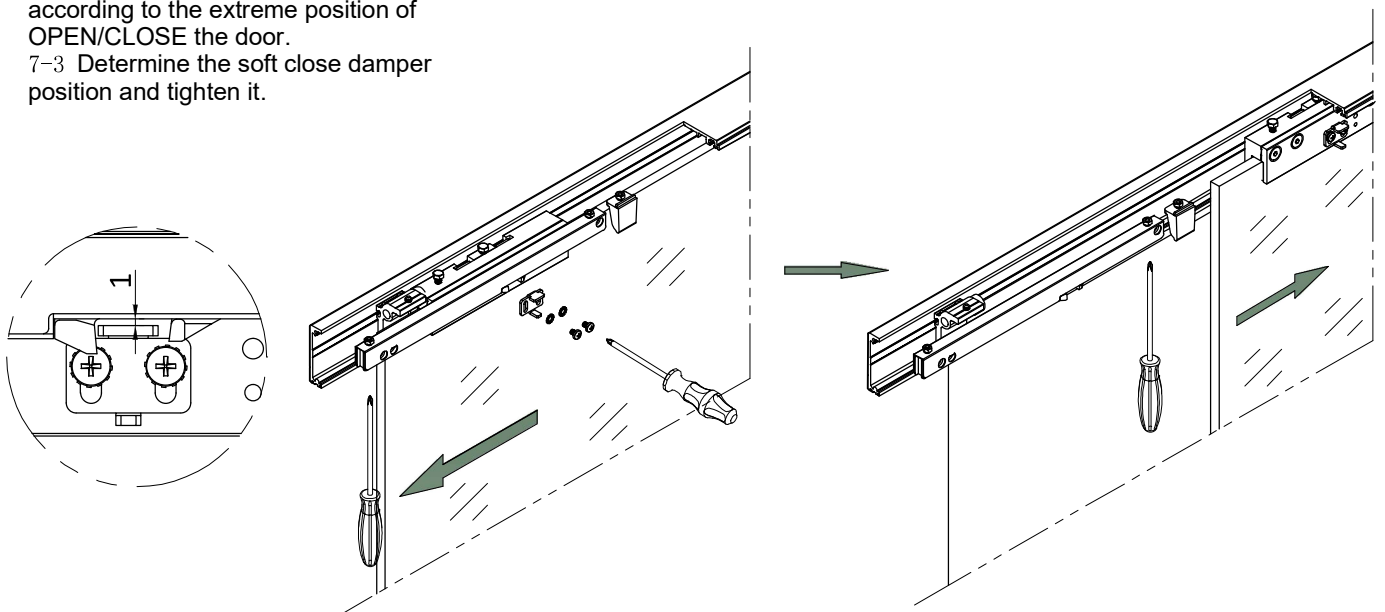


7 Adjusting Soft Close Damper

- 7-1 Adjust the height of the catcher according to the soft close damper.
- 7-2 Find out the exact position of two sides of soft close damper on the track according to the extreme position of OPEN/CLOSE the door.
- 7-3 Determine the soft close damper position and tighten it.



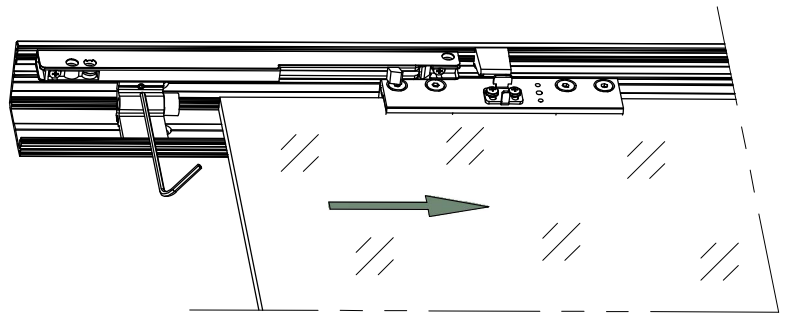
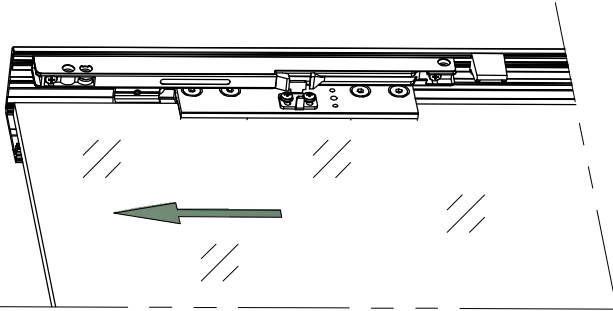
Warning: the door can not collide with the wall



8 Door Stop Installation

8-1 According to the extreme position of the door under the effect of soft close damper, move the door stop to the suitable position and tighten it.

8-2 Right side and left side is the same.



9 Decorative Cover Installation

9-1 Uniformly distribute the buckles on the track and fix them.

9-2 Install the decorative cover to the track as shown in below.

