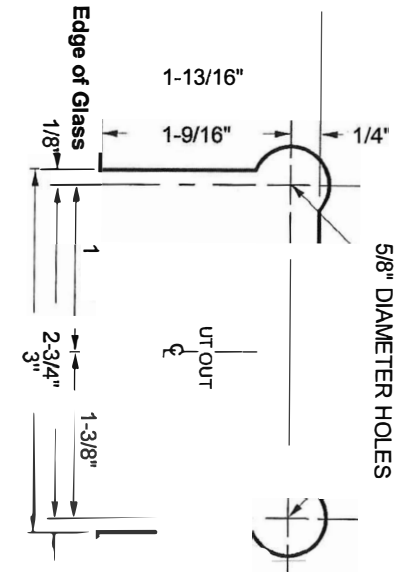
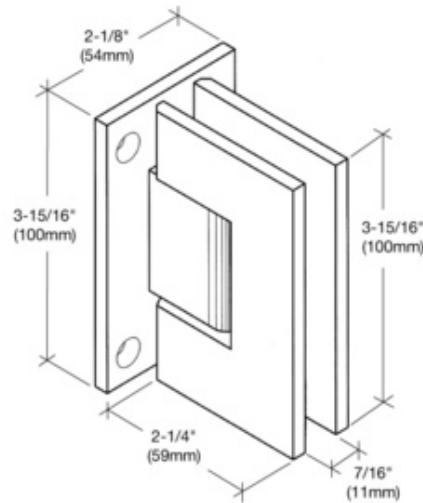




8131 Keele Street Unit 4
 Concord Ontario L4K 1Z2

Info@linkhardware.ca
 Tel 905 761 5656

www.linkhardware.ca



Wall Mount Hinge-Short Back Plate

CAT. NO. V037 (Regular Clearance Template 1/4" to 5/16")

Specifications:

Glass Sizes: 3/8" to 1/2" thick tempered safety glass
 Cutout Required
 Includes: Gaskets, screws and template

Maximum Door Capacities for Two Hinges or Three Hinges

Maximum Door Weight:	100 lbs.	130 lbs.
Maximum Door Width:	34"	34"

Use of Gaskets:

For 3/8" Glass: Use one thick gasket on each side
 For 1/2" Glass: Use one thin gasket on each side

Recommendations:

We recommend the use of only tempered safety glass. Do not use power tools when installing these hinges.