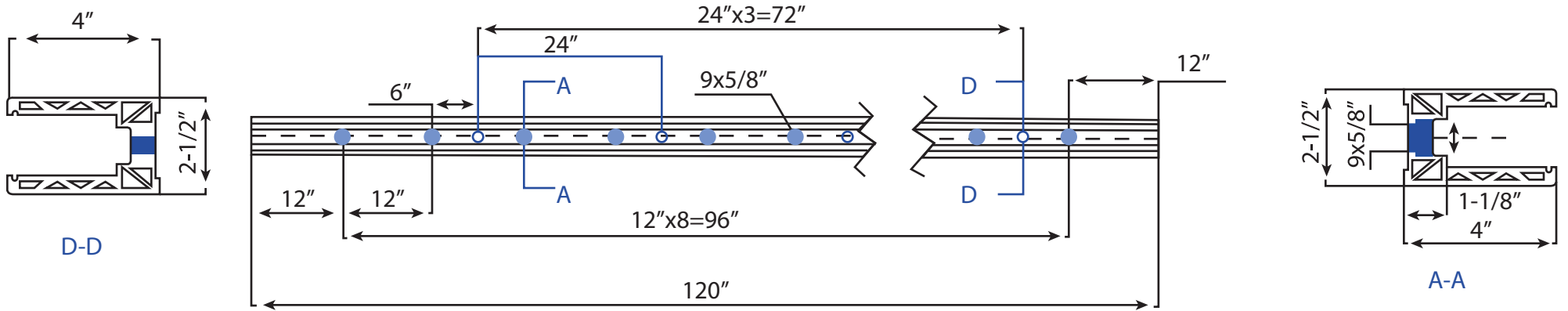


## Surface Mount



## Fascia Mount

