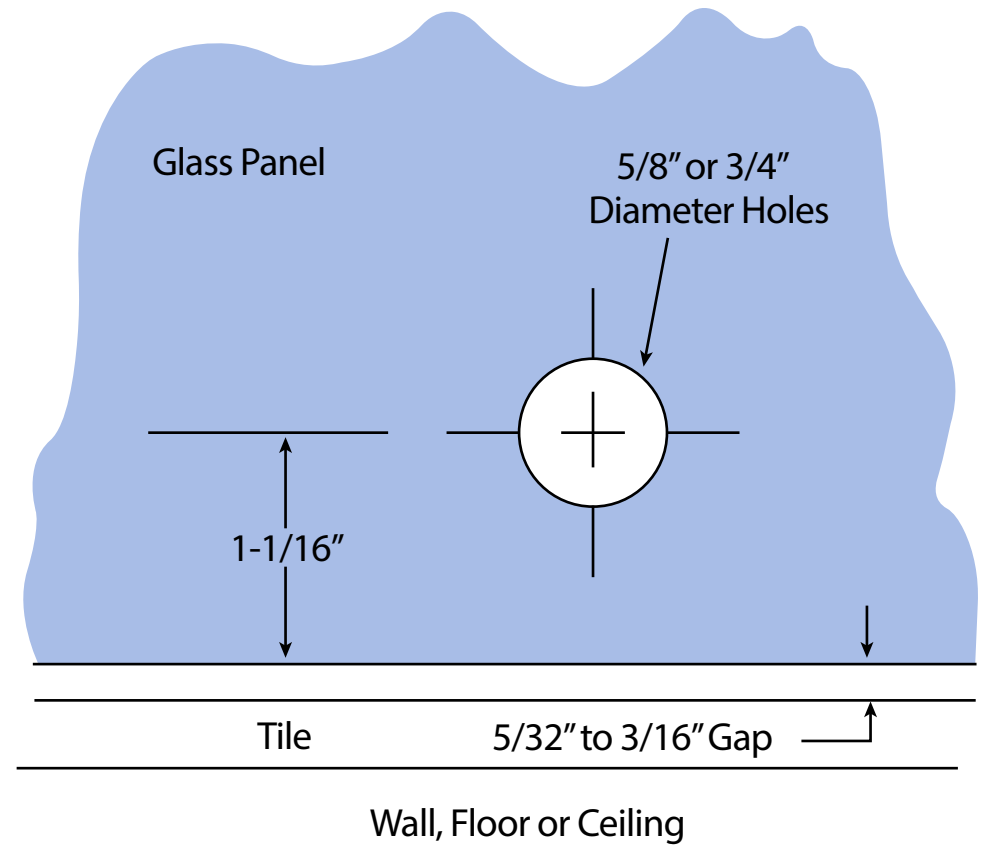
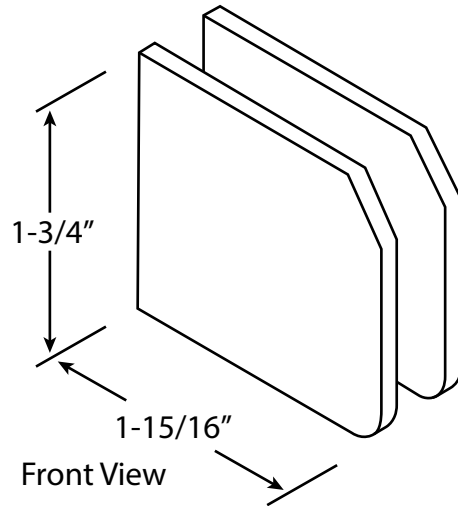




8131 Keele Street Unit 4  
Concord Ontario L4K 1Z2

Info@linkhardware.ca  
Tel 905 761 5656

www.linkhardware.ca



### Oversized Fixed Panel U-Clamp CAT. NO. C79

Specifications:

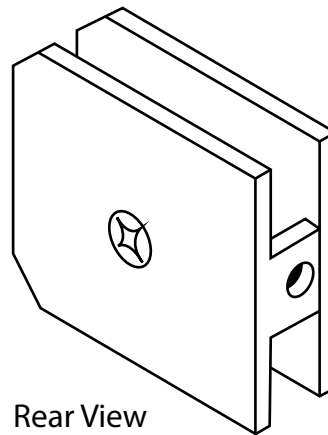
Glass Sizes: 5/16" to 1/2" thick tempered safety glass

Cutout Required

Includes: Gaskets, screws and template

Hole Size Required: 5/8" or 3/4" Diameter

Note: Additional set of gaskets required for 5/16"



Recommendations:

We recommend the use of only tempered safety glass. Do not use power tools when installing these hinges.