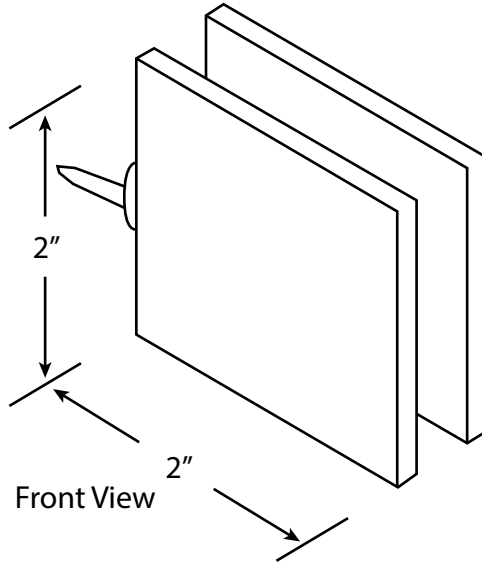




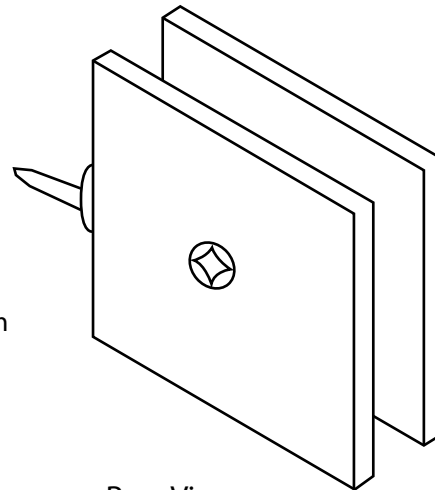
8131 Keele Street Unit 4  
Concord Ontario L4K 1Z2

Info@linkhardware.ca  
Tel 905 761 5656

[www.linkhardware.ca](http://www.linkhardware.ca)



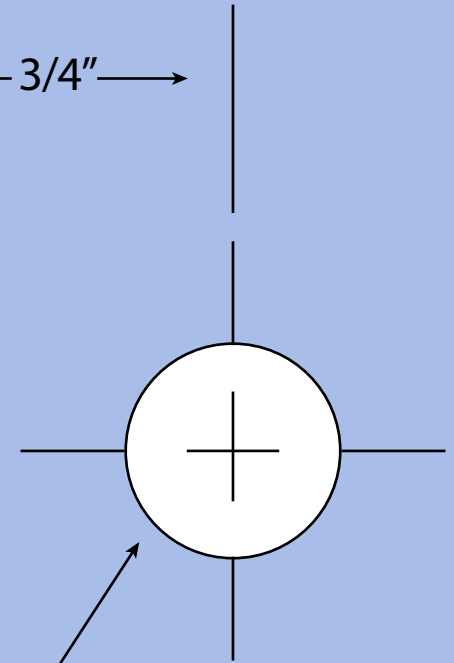
Front View



Rear View

### Transom Glass

← 3/4" →



5/8" or 3/4" Diameter Holes

### Wall Mount CAT. NO. SC186

#### Specifications:

Glass Sizes: 3/8" to 1/2" thick tempered safety glass

Cutout Required

Includes: Gaskets, screws and template

Hole Required: 5/8" or 3/4" hole for fixed panel, notch for transom

#### Recommendations:

We recommend the use of only tempered safety glass. Do not use power tools when installing these hinges.