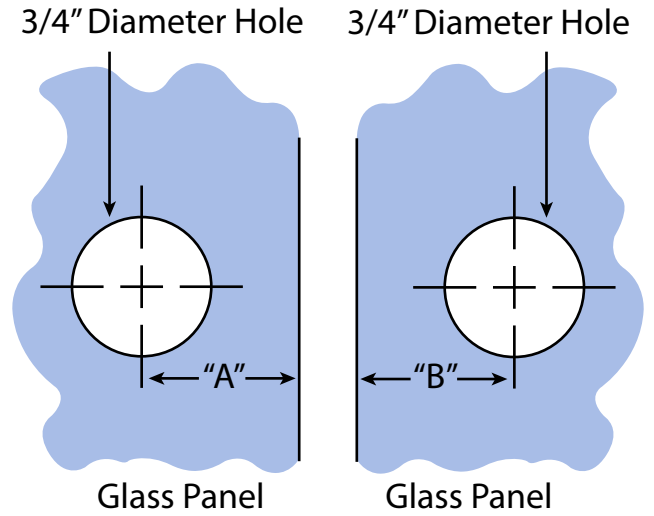
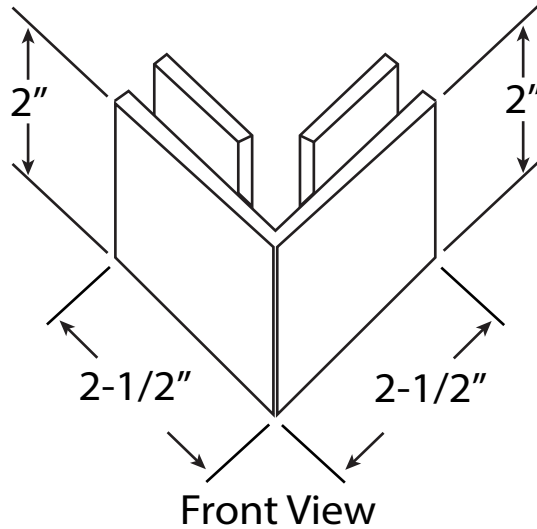




8131 Keele Street Unit 4
 Concord Ontario L4K 1Z2

Info@linkhardware.ca
 Tel 905 761 5656

www.linkhardware.ca



Glass Thickness	"A" Measurement	"B" Measurement
3/8"	1-3/16"	1-5/8"
1/2"	1-1/16"	1-5/8"

Glass to Glass Clamp
 CAT. NO. SC90

Specifications:

Glass Sizes: 3/8" to 1/2" thick tempered safety glass

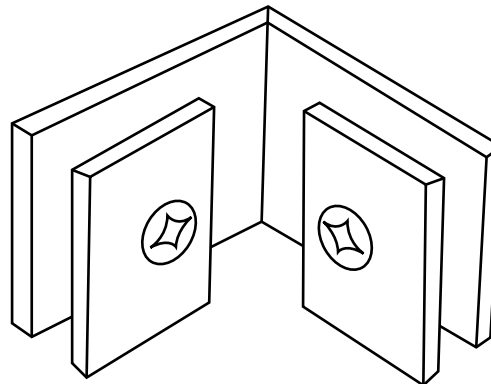
Cutout Required

Includes: Gaskets, screws and template

Use of Gaskets:

For 3/8" Glass: Use one thick gasket on each side

For 1/2" Glass: Use one thin gasket on each side



Recommendations:

We recommend the use of only tempered safety glass. Do not use power tools when installing these hinges.