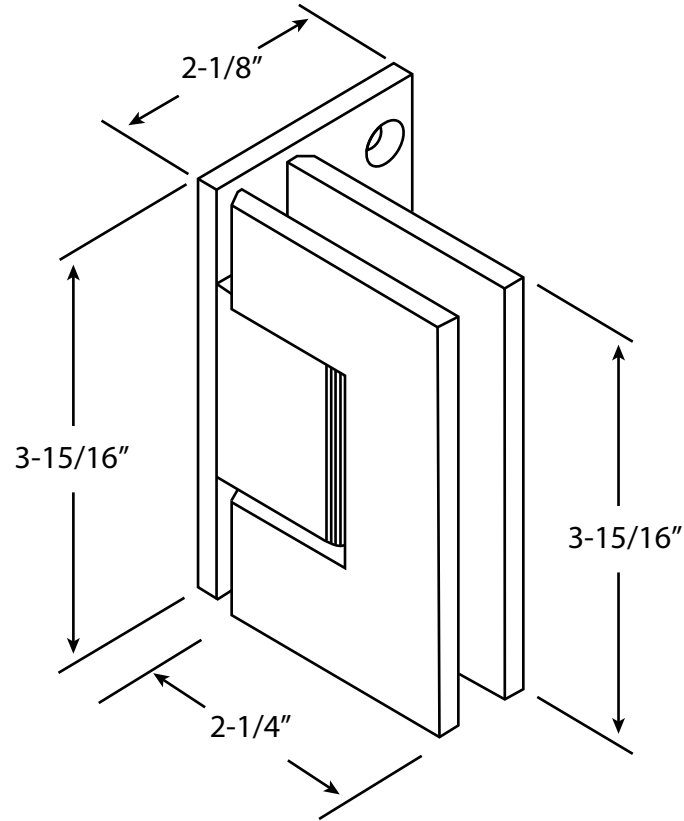




8131 Keele Street Unit 4
Concord Ontario L4K 1Z2

Info@linkhardware.ca
Tel 905 761 5656

www.linkhardware.ca



Wall Mount Hinge CAT. NO. V044

Specifications:

Glass Sizes: 1/2" thick tempered safety glass

Cutout Required

Includes: Gaskets, screws and template

Maximum Door Capacities for Two Hinges or Three Hinges

Maximum Door Weight:	100 lbs.	130 lbs.
----------------------	----------	----------

Maximum Door Width:	34"	34"
---------------------	-----	-----

Use of Gaskets:

For 1/2" Glass: Use one thin gasket on each side

Recommendations:

We recommend the use of only tempered safety glass. Do not use power tools when installing these hinges.

