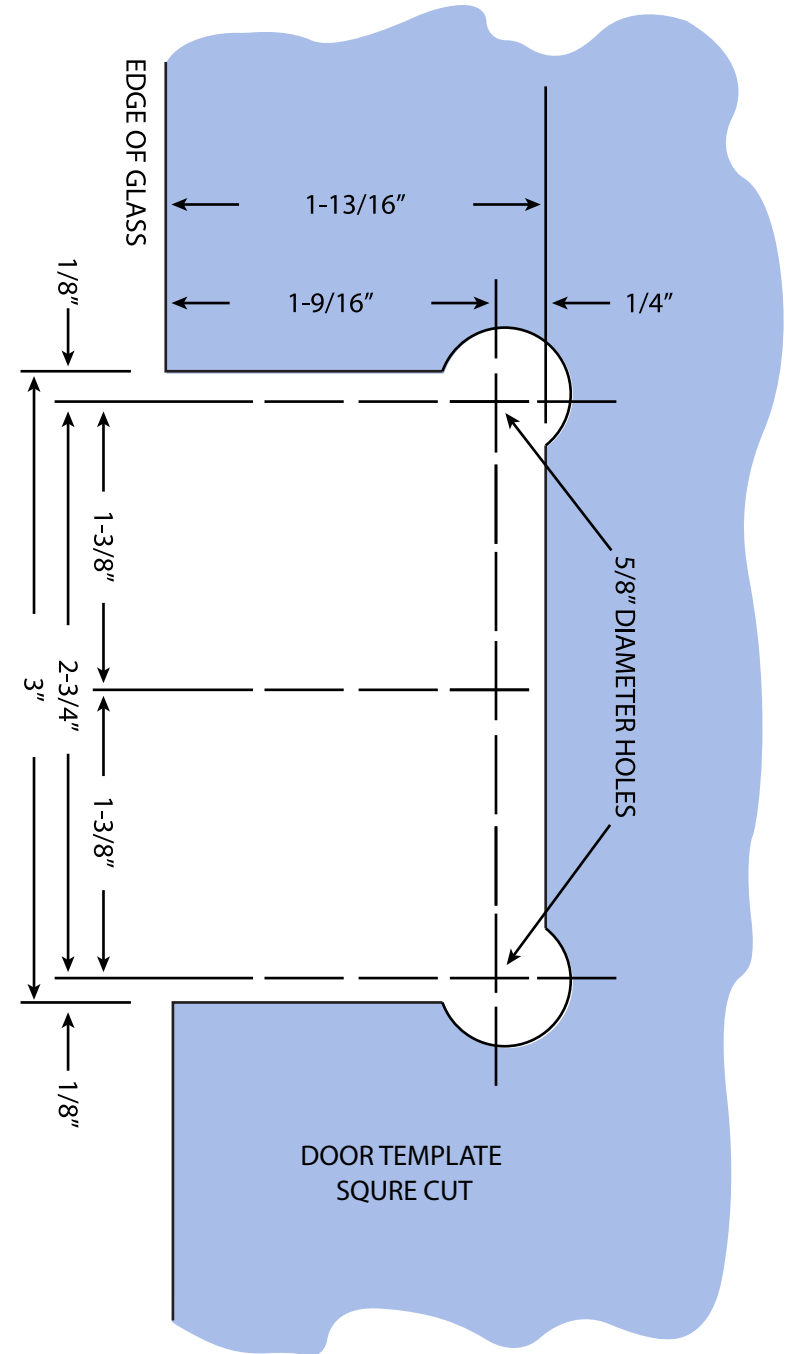
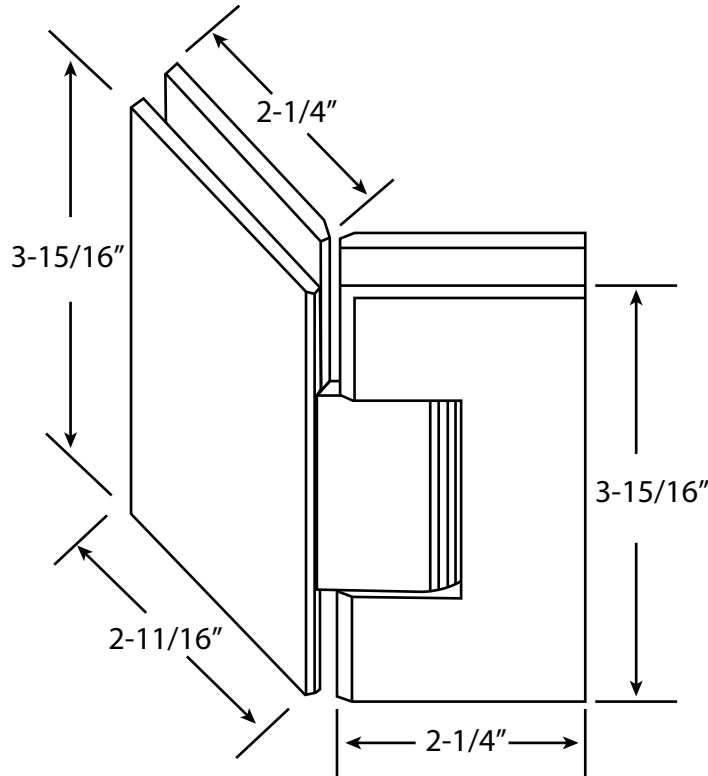




8131 Keele Street Unit 4
 Concord Ontario L4K 1Z2

Info@linkhardware.ca
 Tel 905 761 5656

www.linkhardware.ca



Glass To Glass
 CAT. NO. V045

Specifications:
 Glass Sizes: 1/2" thick tempered safety glass
 Cutout Required
 Includes: Gaskets, screws and template

Maximum Door Capacities for Two Hinges or Three Hinges

Maximum Door Weight:	110 lbs.	140 lbs.
Maximum Door Width:	36"	36"

Use of Gaskets:
 For 1/2" Glass: Use one thin gasket on each side

Recommendations:

We recommend the use of only tempered safety glass. Do not use power tools when installing these hinges.