

FALLBROOK

INSTALLATION INSTRUCTIONS



8131 Keele Street Unit #4
Concord, Ontario, L4K 1Z2

info@linkhardware.ca
Tel 905-761-5656

www.linkhardware.ca



FALLBROOK

Door and Hinge Limitations

Maximum door width	36"
Maximum door height	118"
Maximum door weight	190 lbs.

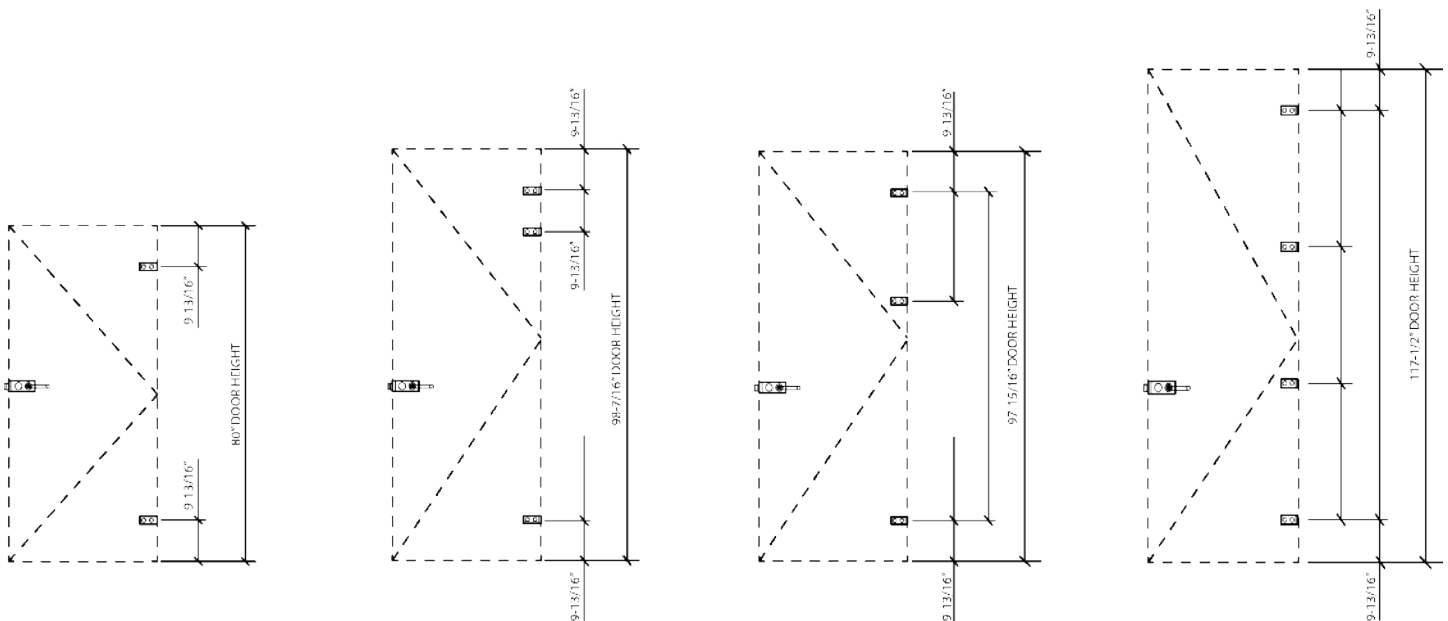
Number of hinges required:

2 hinges - door weight up to 110 lbs. **or** door height up to 80"

3 hinges - door weight over 110 lbs. and up to 190 lbs. **or** door height 80" to 98-7/16"

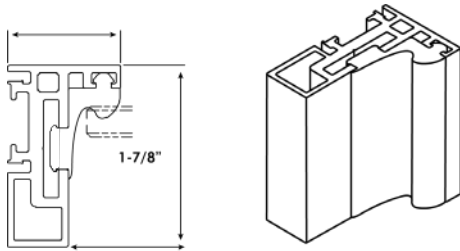
4 hinges - door height over 98-7/16" to maximum height 118" up to 190 lbs.

Suggested hinge locations:

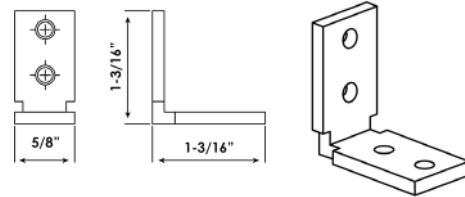


FALLBROOK

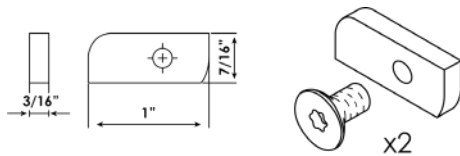
Components



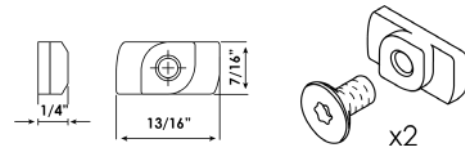
FB FRAMING



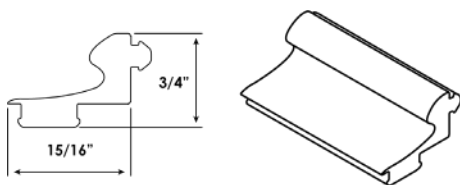
FFCC



FHNN12



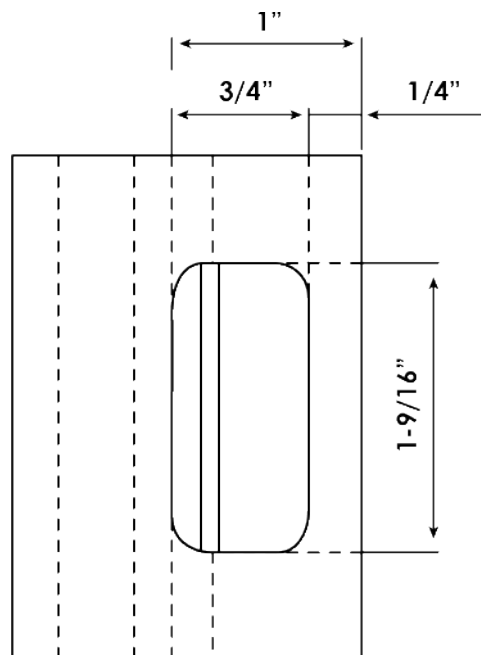
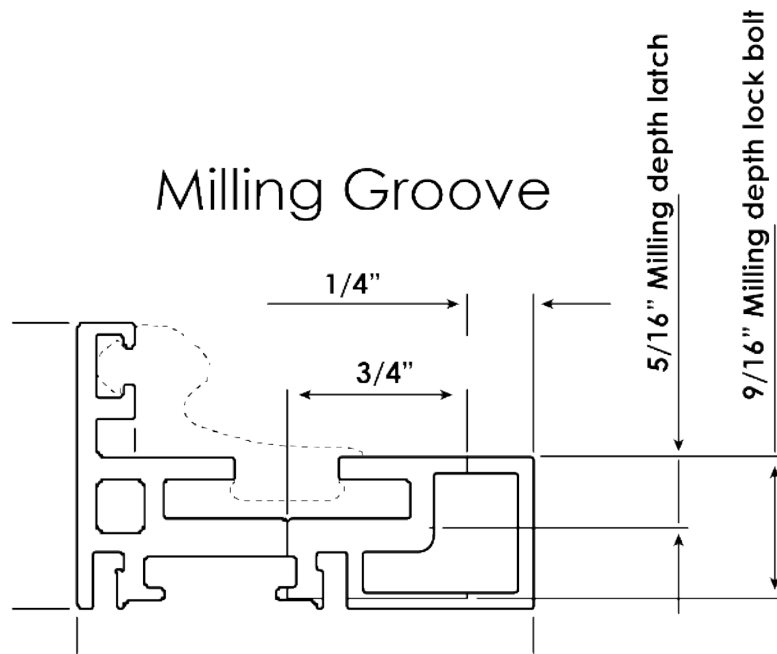
FHHN



FB GASKET

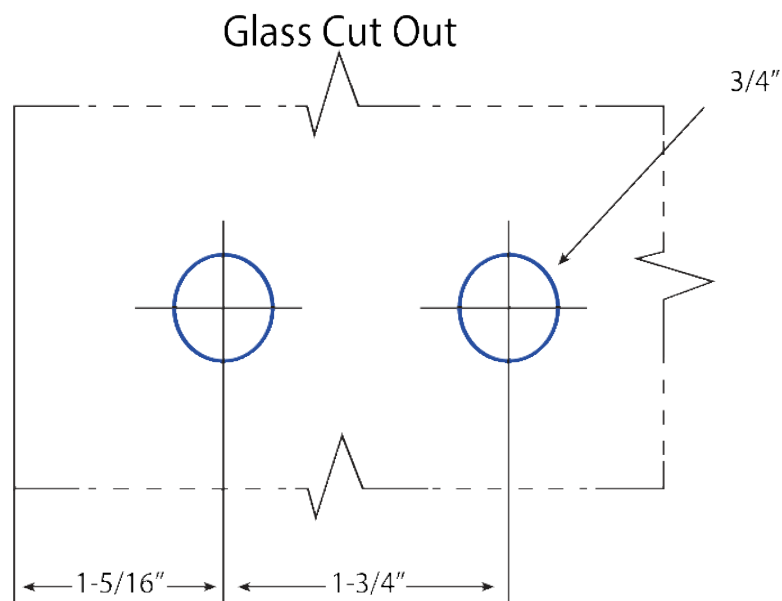
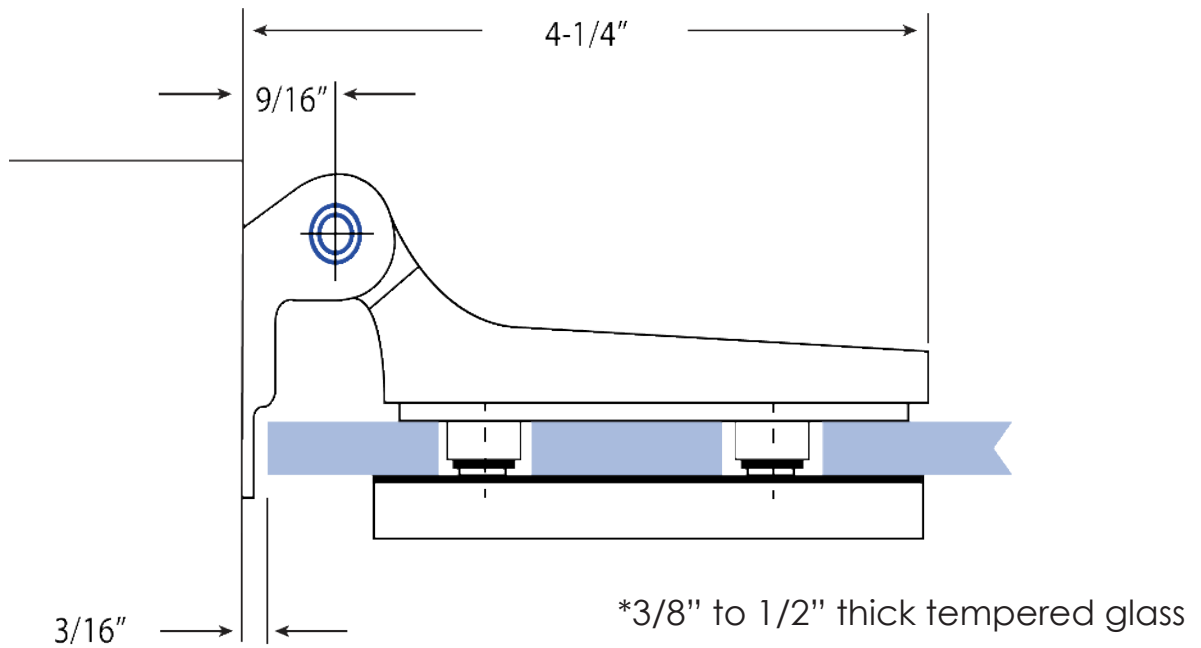
FALLBROOK

Milling Groove



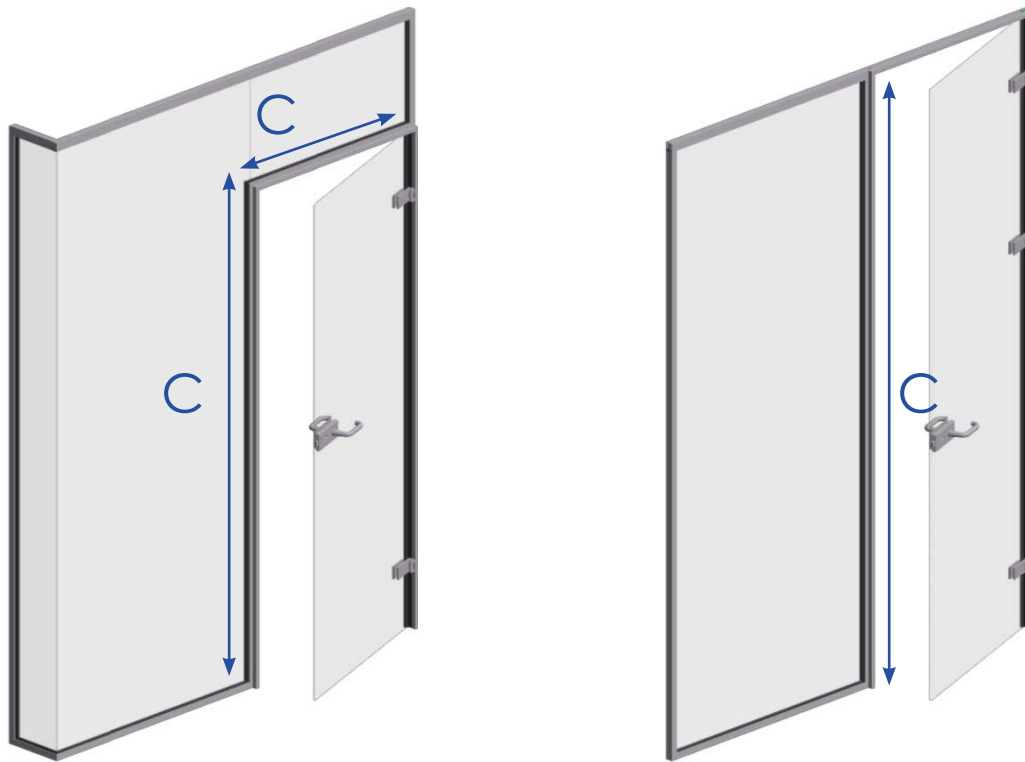
FALLBROOK

Free Swinging Hinge

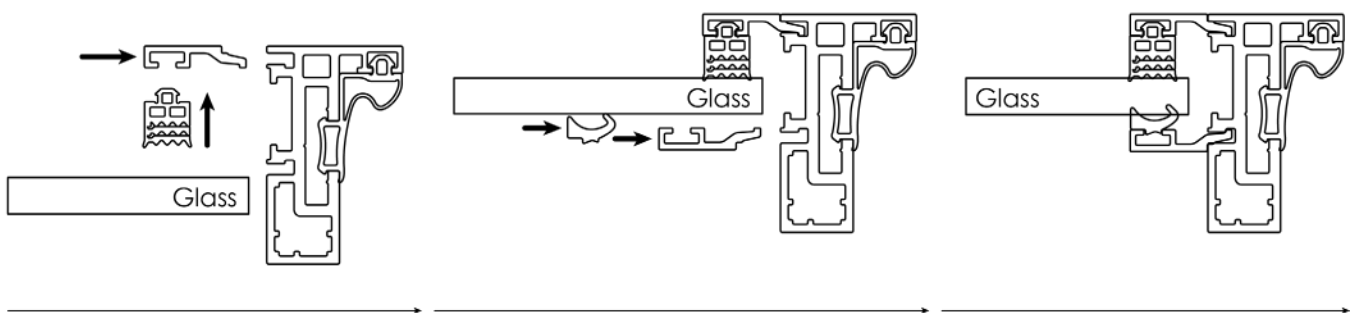


FALLBROOK

Door Frame with Glass Connection

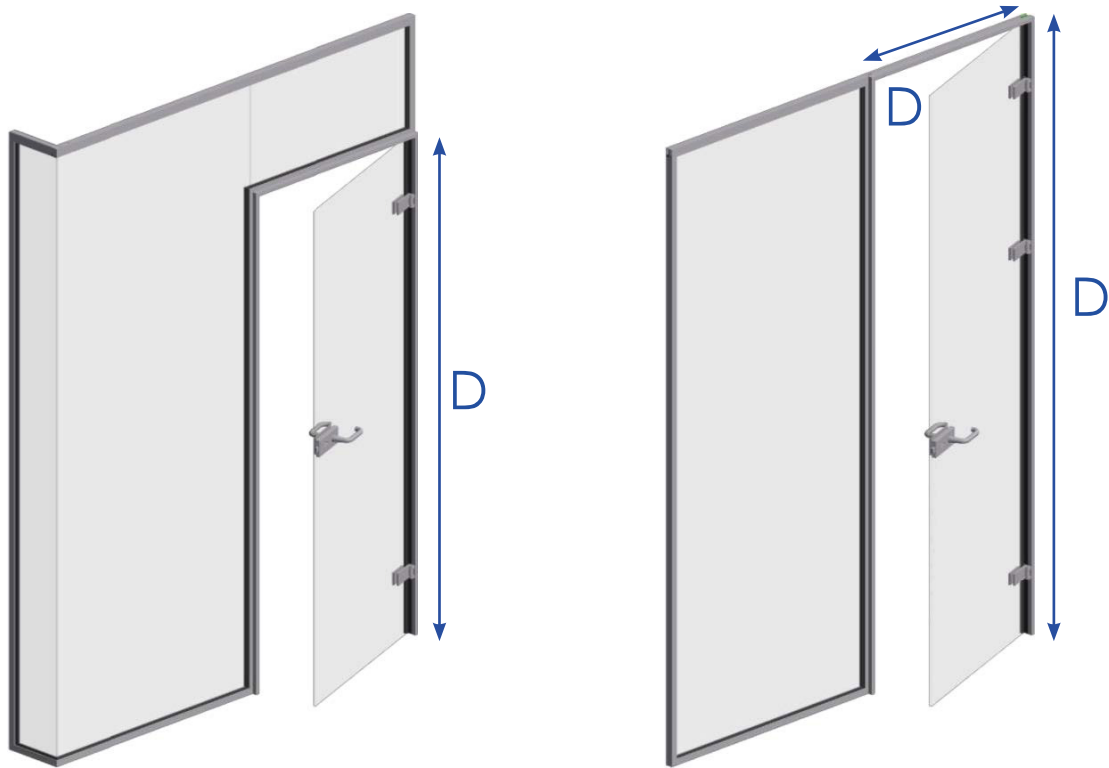


C Door Frame with Glass Connection

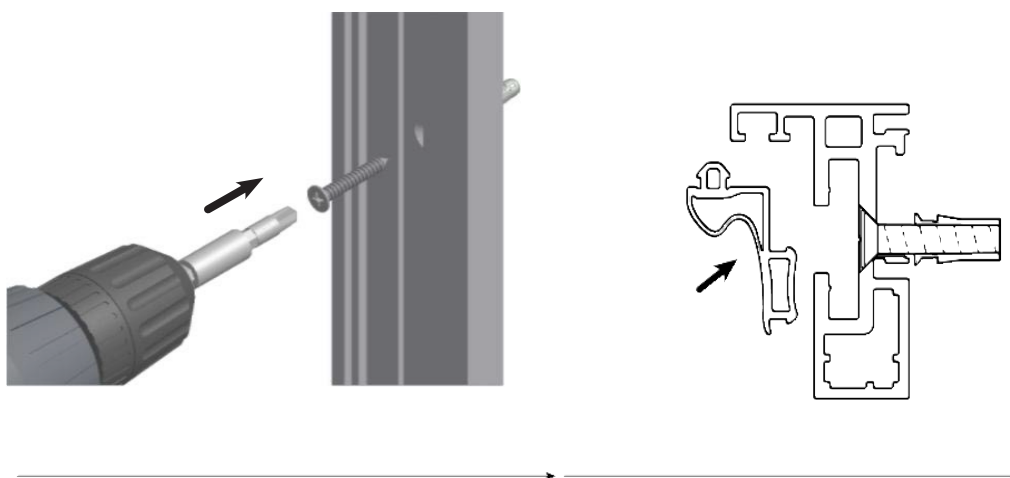


FALLBROOK

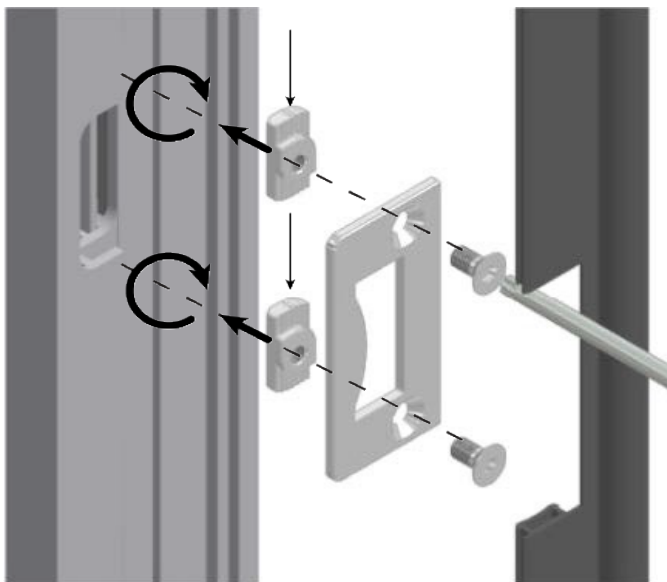
Door Frame with Wall Connection



D Door Frame with Wall Connection



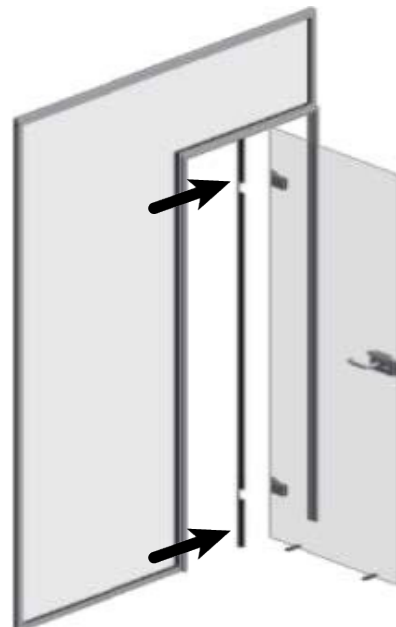
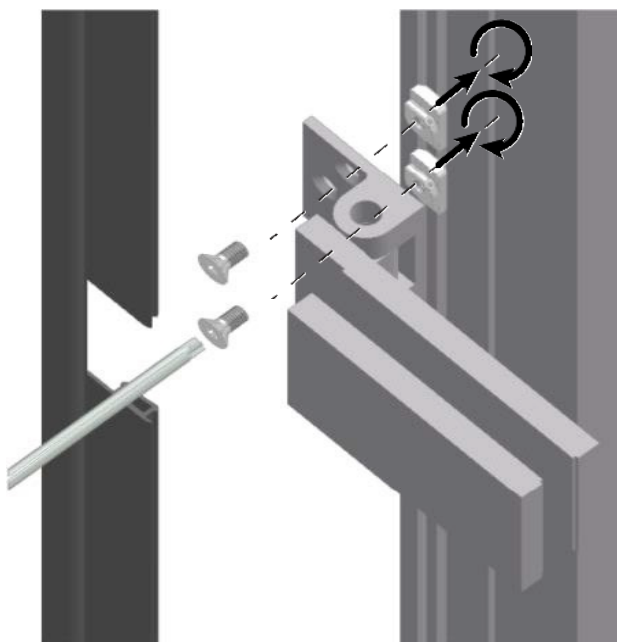
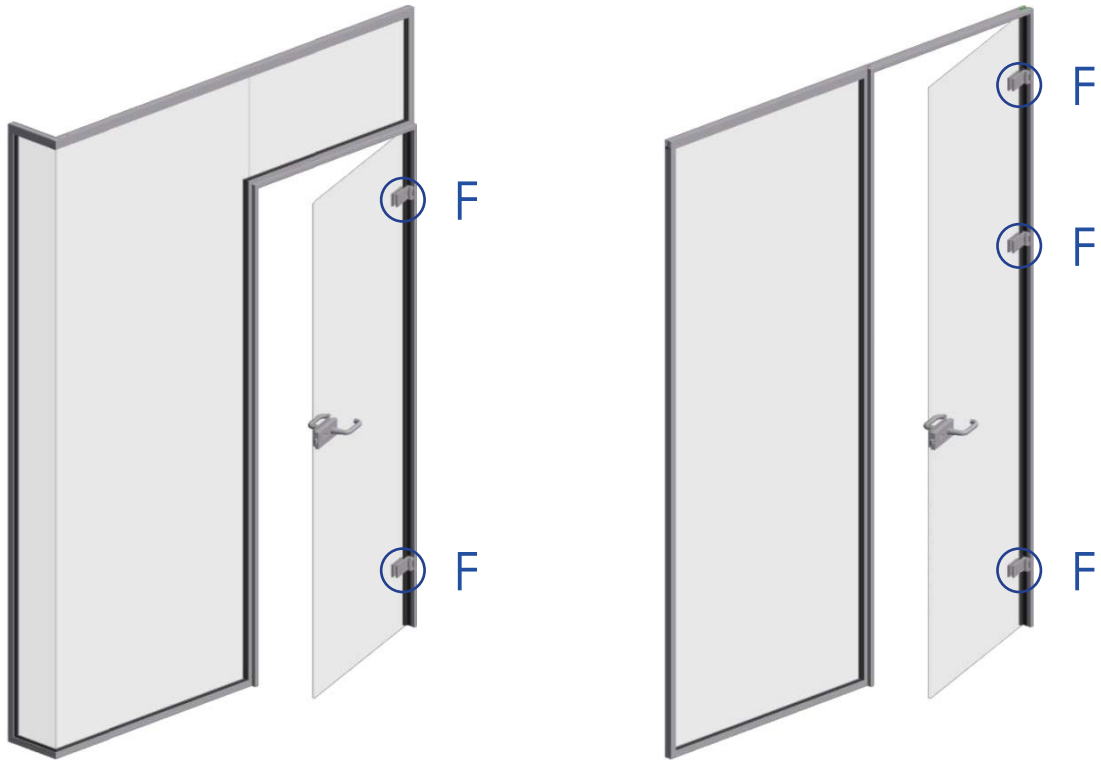
FALLBROOK



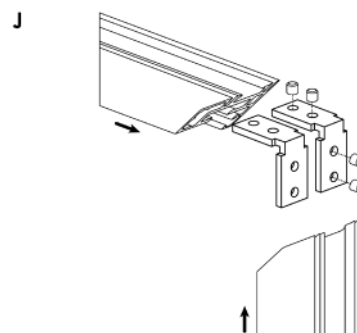
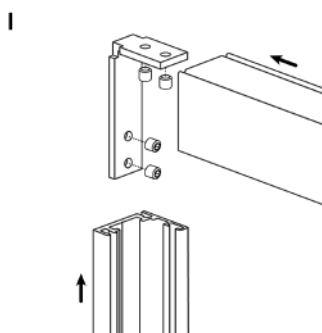
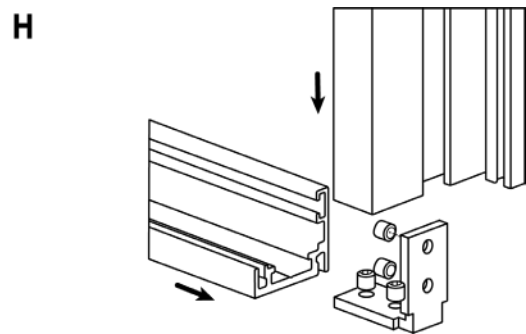
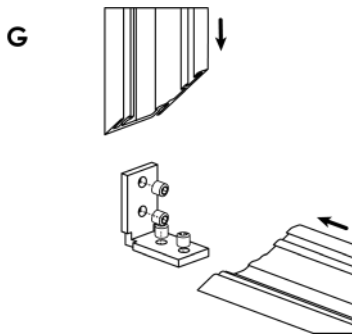
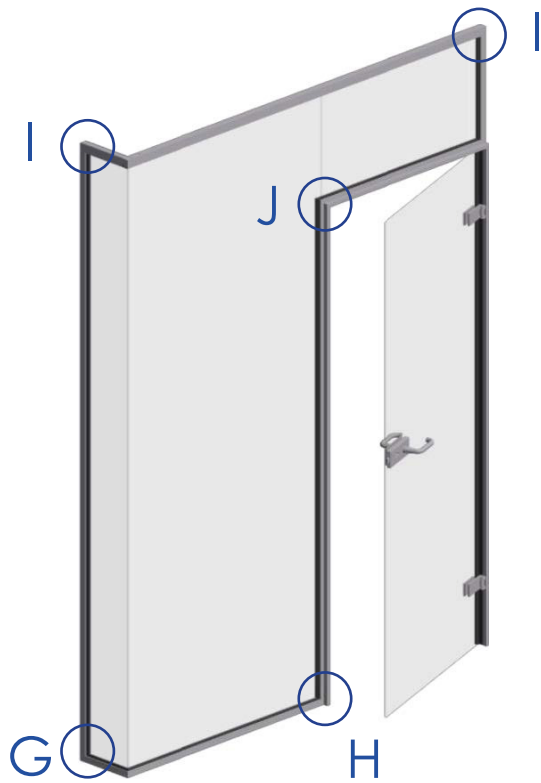
Glass Thickness

3/8"		1/2"	
FHHN	FHHN	FHHN12	FHHN12
Bridge			
Bridgel			

FALLBROOK



FALLBROOK

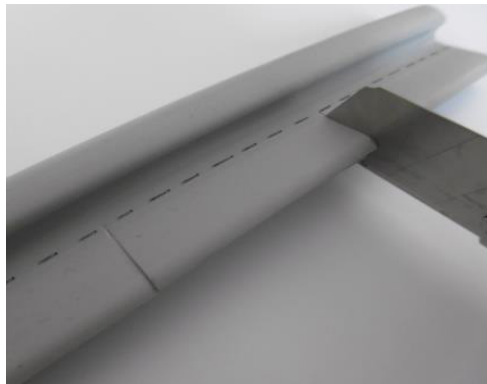
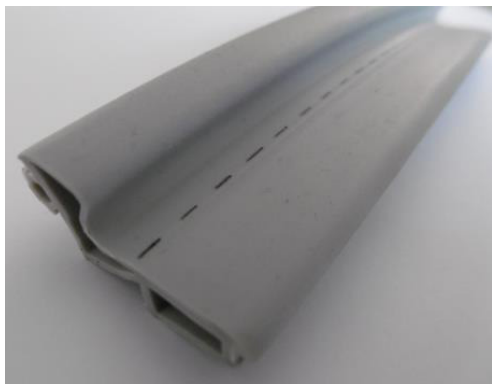


FALLBROOK

Notching the Door Frame Gasket



Step 1:



Cut in the gasket up to the imaginary line (dashed), twice per hinge/strike plate.

Step 2:



Turn around the gasket and cut away previously cut in piece along the imaginary line (dashed).

FALLBROOK

Notching the Door Frame Gasket

Step 3:

Open up the hollow chamber and cut in the innerflap at the ends and then cut away the incised part – done.

