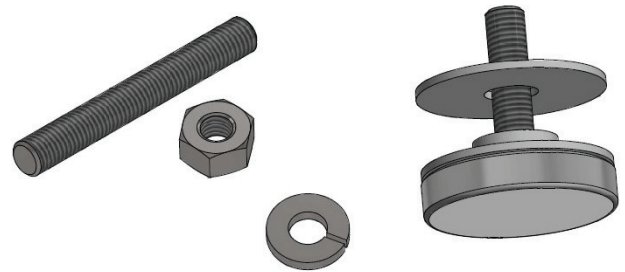


INSTALLATION INSTRUCTIONS

CRESCENT 90° RETURN PANEL CRES90 ACCESSORY KIT

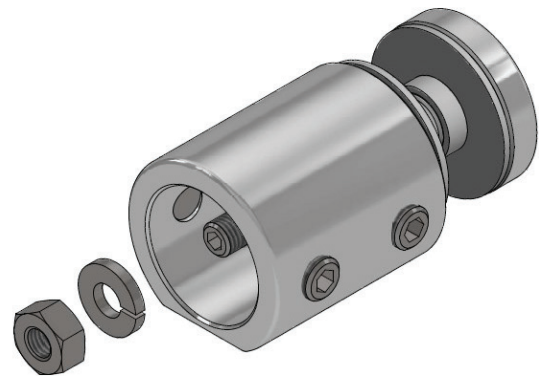
STEP 1:

INSERT THE CAP ASSEMBLY THROUGH THE FABRICATED GLASS RETURN PANEL, FOLLOWED BY THE FLAT PLASTIC WASHER TO PREVENT GLASS TO METAL CONTACT.

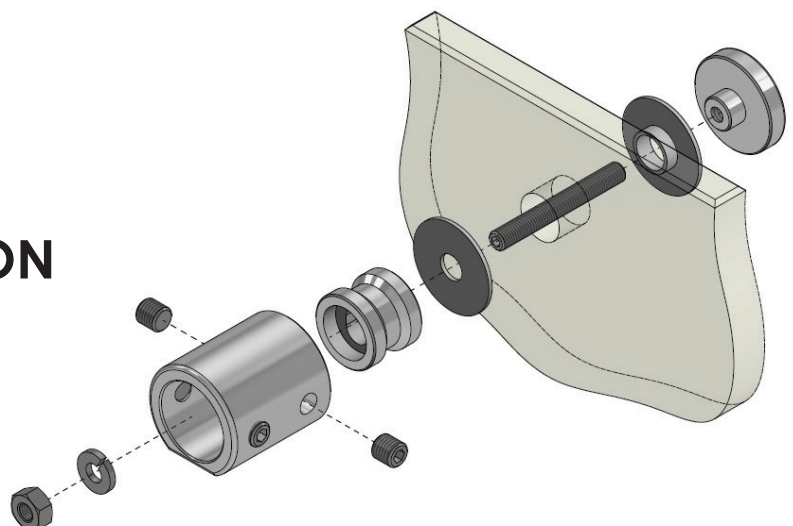


STEP 2:

MOUNT THE WALL FITTING PROVIDED WITH THE SHOWER KIT, ADD LOCK WASHER FIRST, FOLLOWED BY THE LOCK NUT, AND FASTEN SECURELY. INSTALLATION IS NOW COMPLETE.



EXPLODED VIEW OF COMPLETED INSTALLATION



CRESCENT 90° RETURN PANEL CRES90 ACCESSORY KIT



1/2" GLASS

3/8" GLASS

