

Link Hardware | 8131 Keele St unit #4, Vaughan, ON L4K 1Z2, Canada  
 Phone: +1 905-761-5656  
 Email: info@linkhardware.ca



# SERIES POCKET MIDLAND SLIDER

JUN.2025

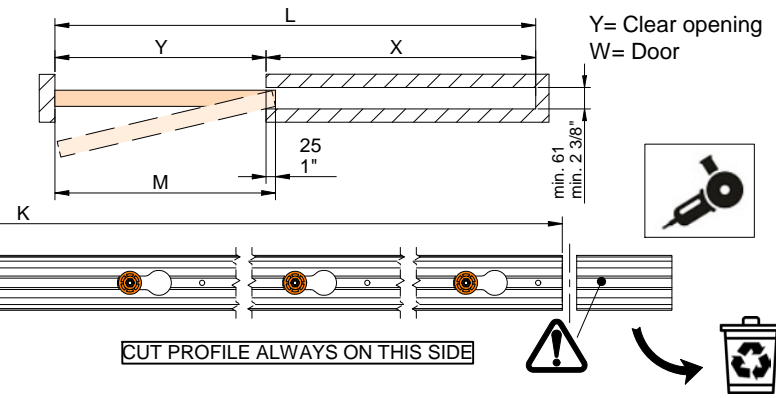
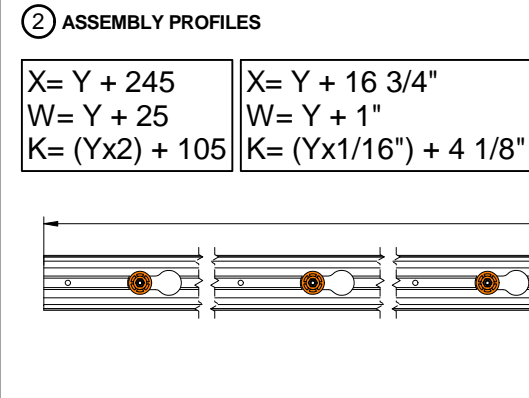
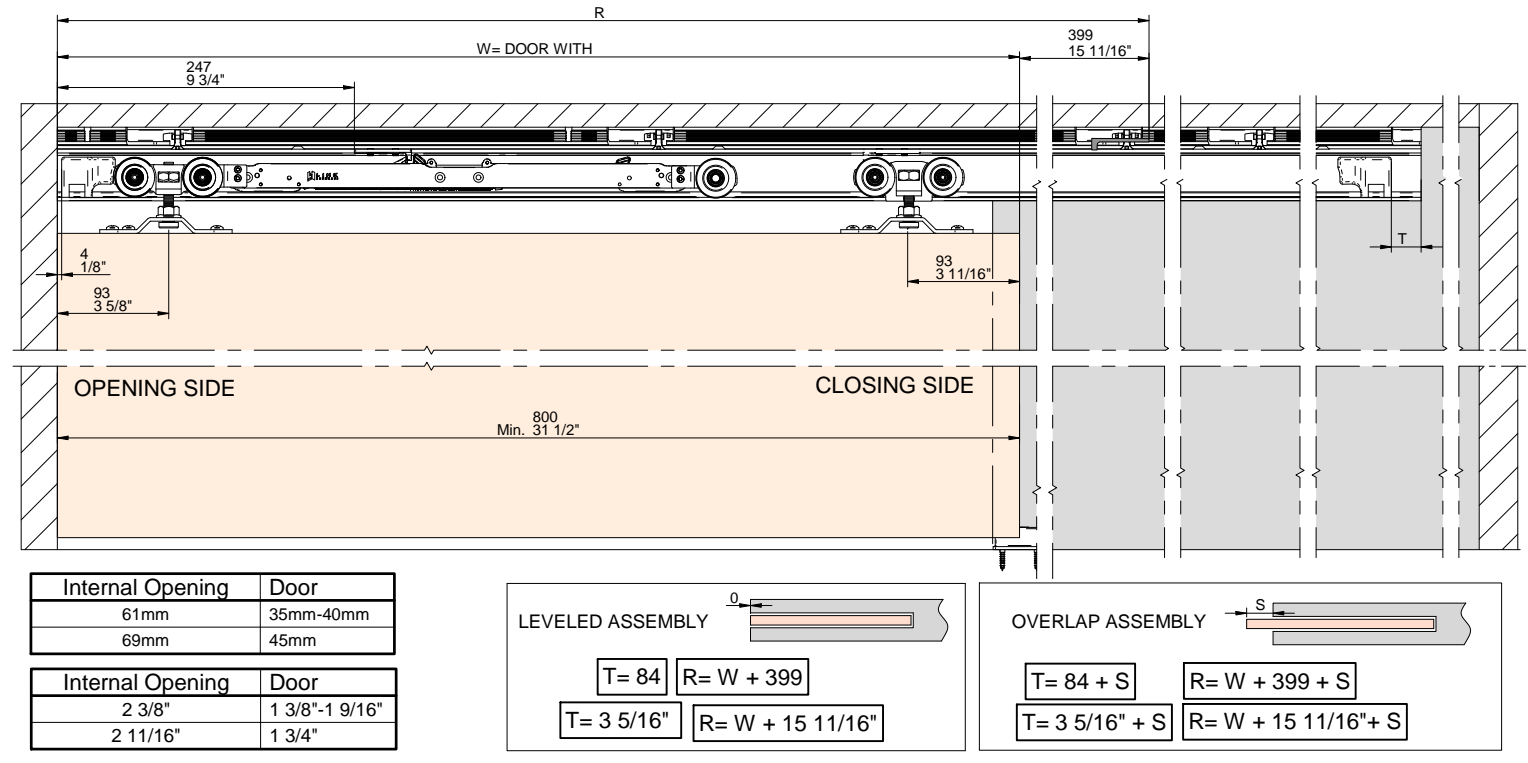
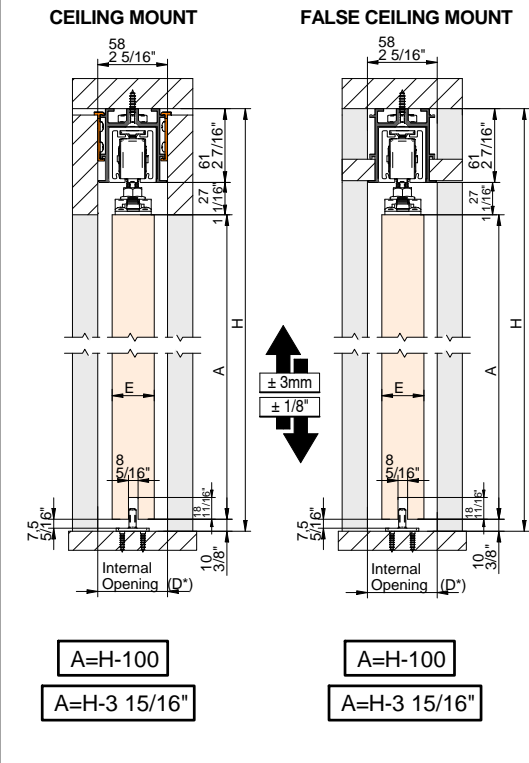
038060951

		00993112 (PKT2A)	S
		00993113 (PKT2MBL)	BL
X			1
Y			8

G		DIN 7505-B 5X25mm	8
H		DIN 7505-A 4X20mm	4
I		DIN 7982 4,8x13mm	2
J			1

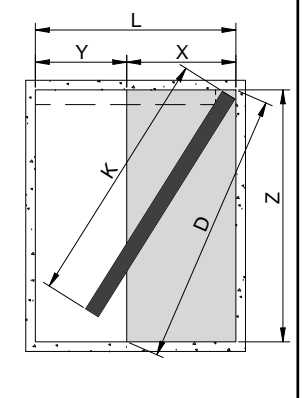
K			1
R			1
S			1
T			2

U			2
V			2
W			2

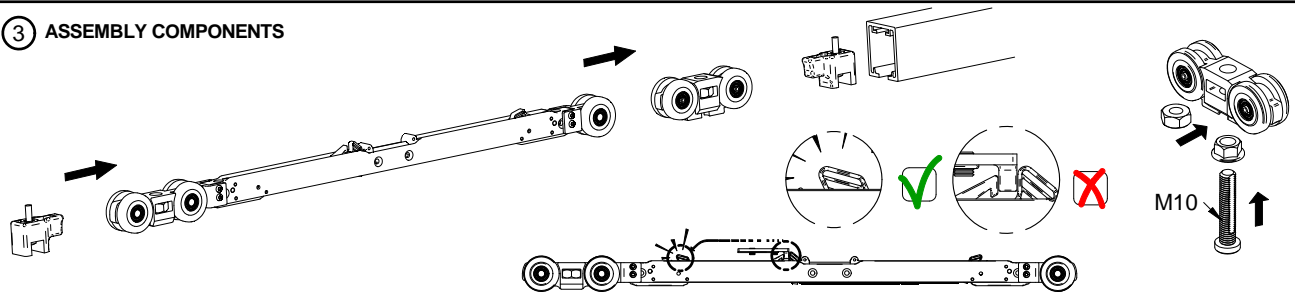


(Ymm)	(Y")	(Zmm)	(Z") MIN.
1100	43 5/16"	2100	82 11/16"
1200	47 1/4"	2100	82 11/16"
1300	51 3/16"	2300	90 9/16"
1400	55 1/8"	2500	98 7/16"
1500	59 1/16"	2700	106 5/16"
1600	63"	2800	110 1/4"
1700	66 15/16"	3000	118 1/8"
1800	70 7/8"	3400	133 7/8"

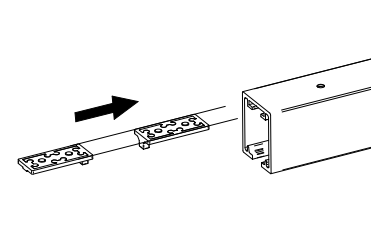
K ≤ D - 110  
 K ≤ D - 4 5/16"



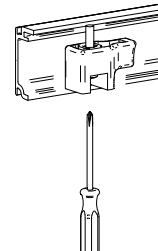
③ ASSEMBLY COMPONENTS



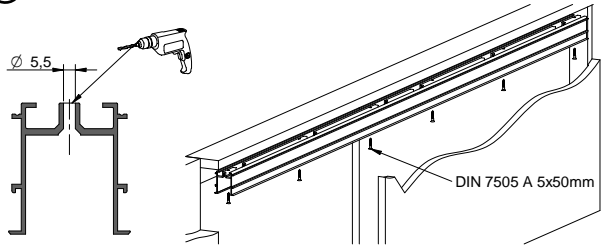
④ ASSEMBLY ACTIVATORS



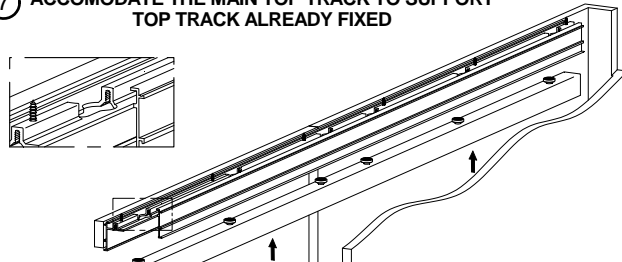
⑤ STOPPER



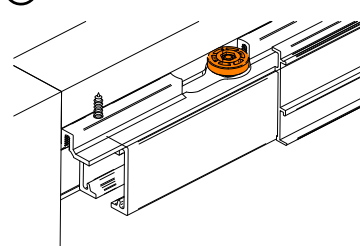
⑥ FIX SUPPORT TOP TRACK TO CEILING



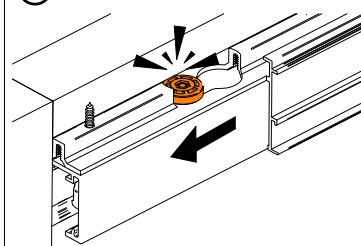
⑦ ACCOMODATE THE MAIN TOP TRACK TO SUPPORT TOP TRACK ALREADY FIXED



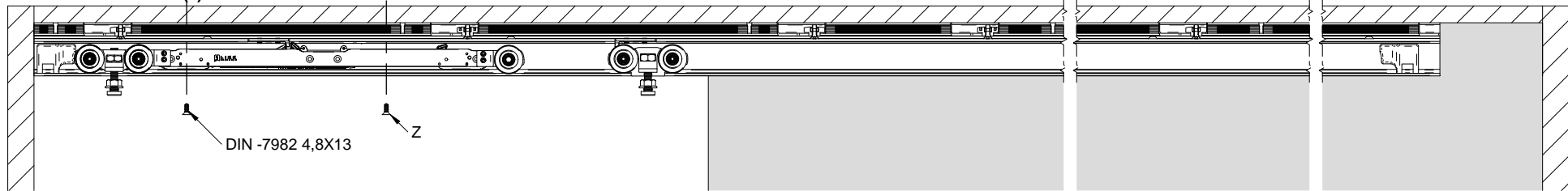
⑧ INSERT INTO SLOTS



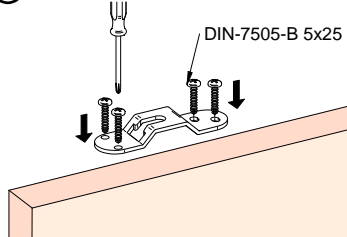
⑨ SLIDE UNTIL LIMIT



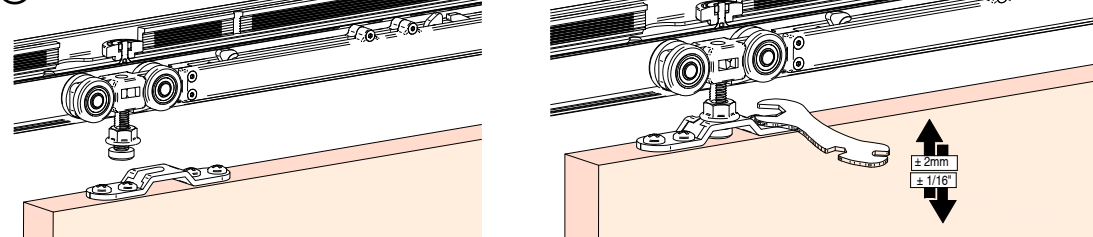
⑩ FIX THE TWO SCREWS (Z) IN THE CLEAR OPENING TO JOIN TRACKS



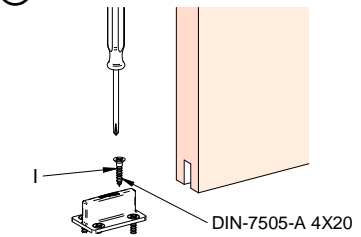
⑪ ASSEMBLY COMPONENTS



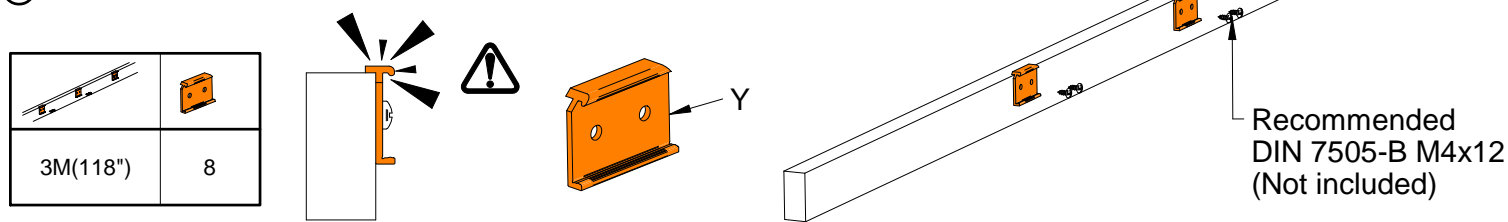
⑫ HANG DOOR AND ADJUST HEIGHT



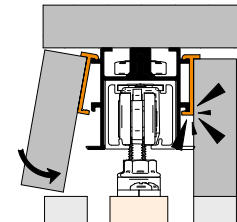
⑬ INSTALL BOTTOM GUIDE



⑭ CLIP ON BRACKET FOR TIMBER PELMET



⑮ CEILING MOUNT: COVER CLIPPING



Link Hardware | 8131 Keele St unit #4, Vaughan, ON L4K 1Z2, Canada  
 Phone: +1 905-761-5656  
 Email: info@linkhardware.ca



# SERIES POCKET MIDLAND SLIDER

JUN 2025

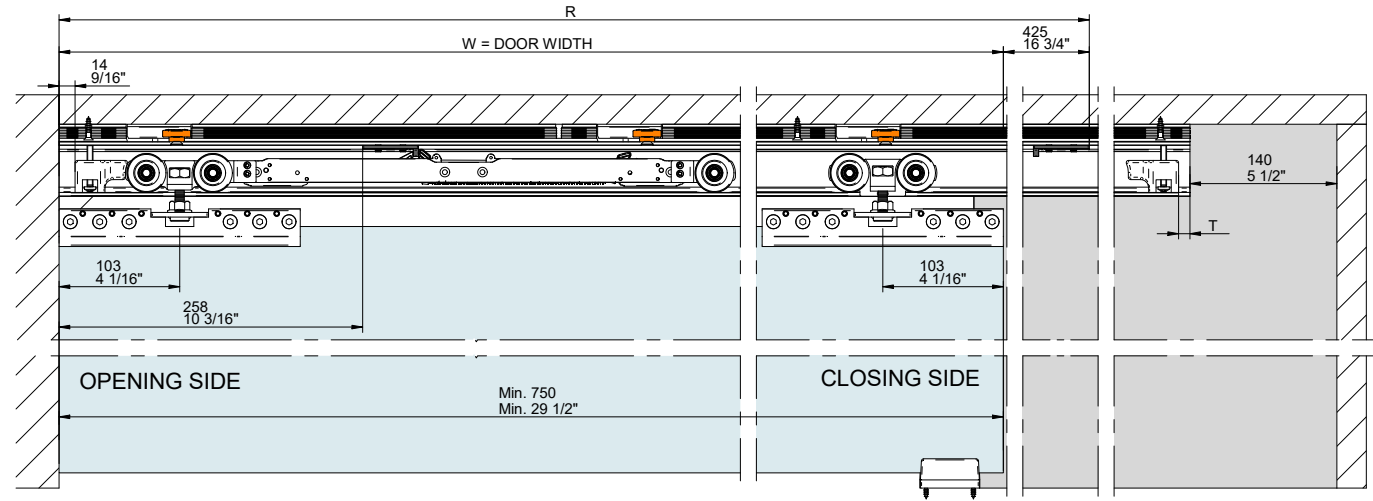
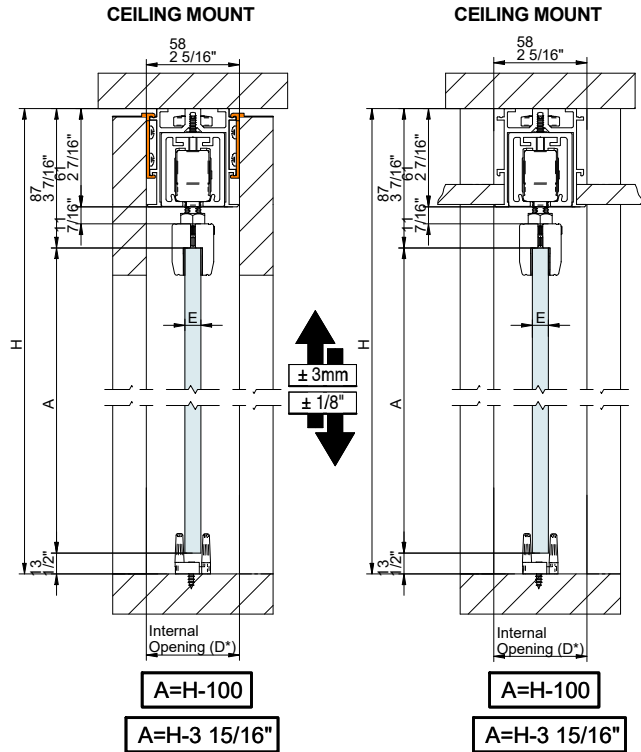
038009952

		00993112 (PKT2A)	S
		00993113 (PKT2MBL)	BL
X		1	
Y		8	

Z		DIN 7982 4,8x13mm	2
J			1
K			1

R			1
S			1
T			2

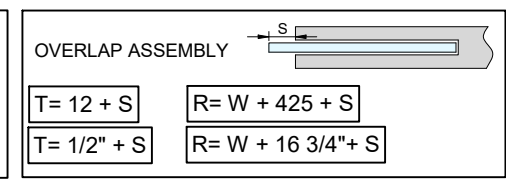
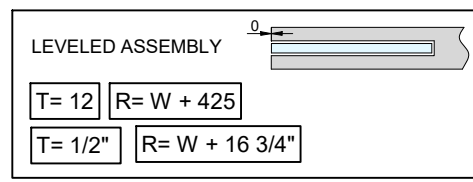
U			2
V			2
W		M10 x 45	2



Internal Opening	Door
61mm	35mm-40mm
69mm	45mm

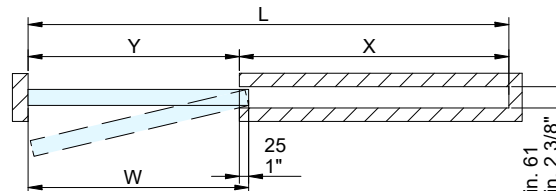
  

Internal Opening	Door
2 3/8"	1 3/8"-1 9/16"
2 11/16"	1 3/4"

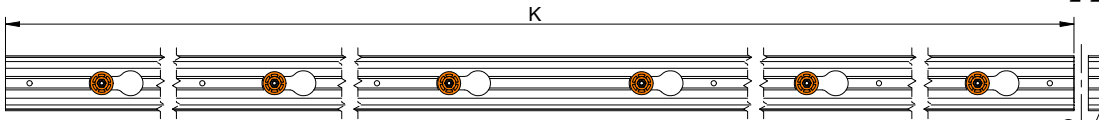


## ASSEMBLY PROFILES

$X = Y + 245$	$X = Y + 16 \frac{3}{4}''$
$W = Y + 25$	$W = Y + 1''$
$K = (Y \times 2) + 105$	$K = (Y \times 1 \frac{1}{16}'' ) + 4 \frac{1}{8}''$



Y = Clear opening  
W = Door

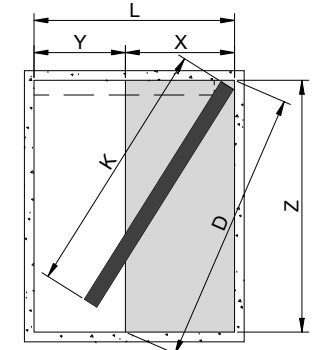


CUT PROFILE ALWAYS ON THIS SIDE

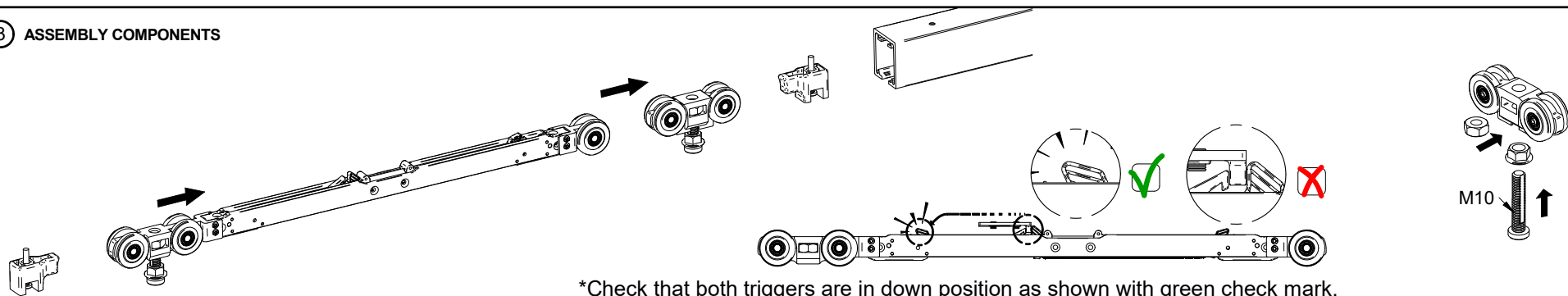


(Ymm)	(Y")	(Zmm)	(Z") MIN.
1100	43 5/16"	2100	82 11/16"
1200	47 1/4"	2100	82 11/16"
1300	51 3/16"	2300	90 9/16"
1400	55 1/8"	2500	98 7/16"
1500	59 1/16"	2700	106 5/16"
1600	63"	2800	110 1/4"
1700	66 15/16"	3000	118 1/8"
1800	70 7/8"	3400	133 7/8"

$K \leq D - 110$   
 $K \leq D - 4 \frac{5}{16}''$

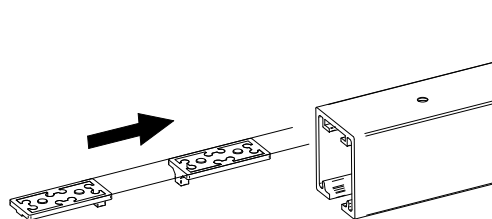


**3 ASSEMBLY COMPONENTS**

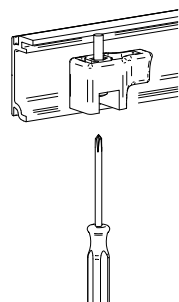


\*Check that both triggers are in down position as shown with green check mark.

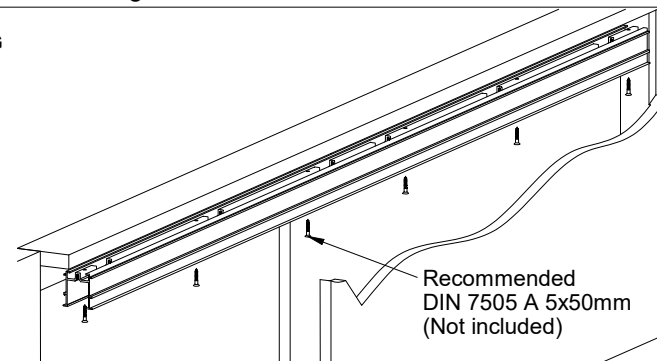
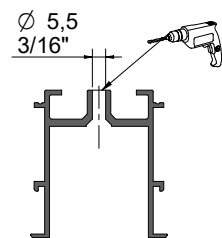
**4 ASSEMBLY ACTIVATORS**



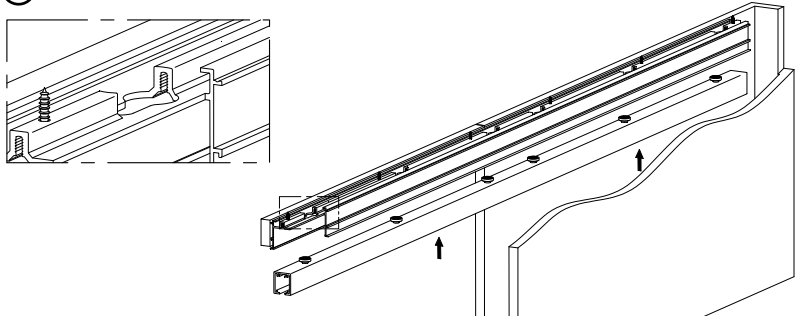
**5 STOPPER**



**6 FIX SUPPORT TOP TRACK TO CEILING**



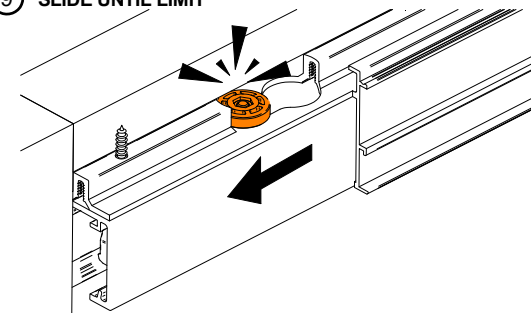
**7 ACCOMODATE THE MAIN TOP TRACK TO SUPPORT TOP TRACK ALREADY FIXED**



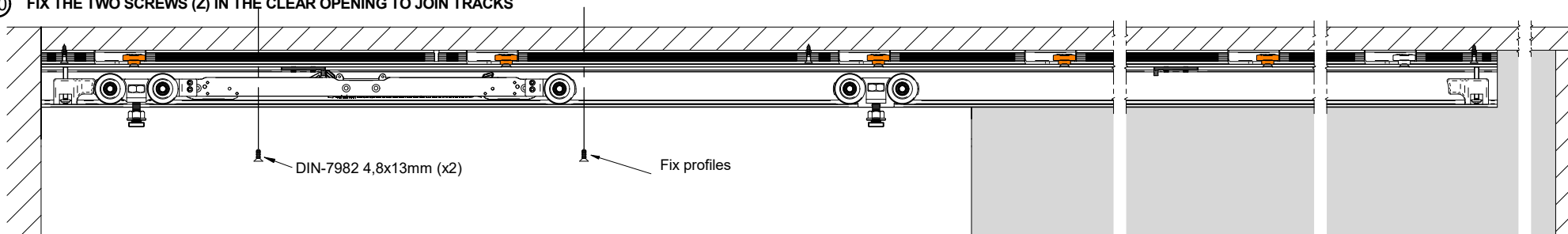
**8 INSERT INTO SLOTS**



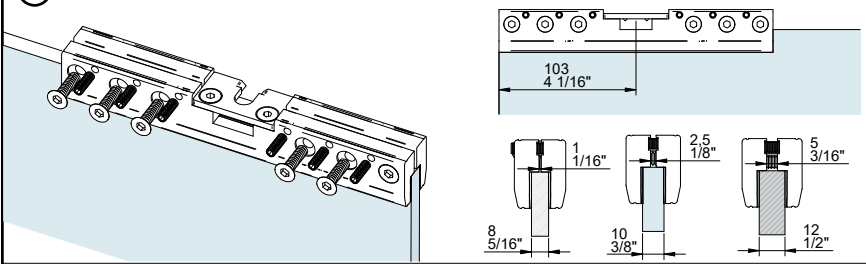
**9 SLIDE UNTIL LIMIT**



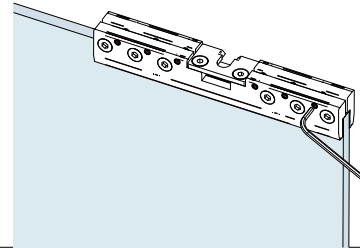
**10 FIX THE TWO SCREWS (Z) IN THE CLEAR OPENING TO JOIN TRACKS**



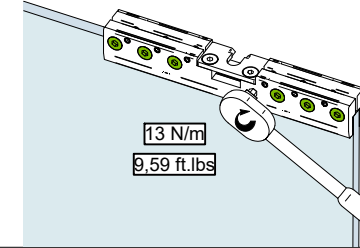
10 CLAMPS ASSEMBLY



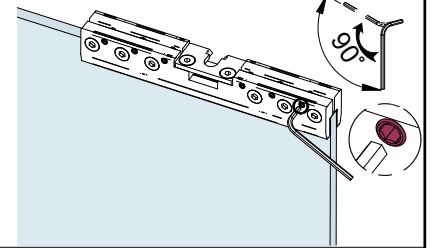
11 FIRST STEP: ADJUST GLASS THICKNESS SCREWS



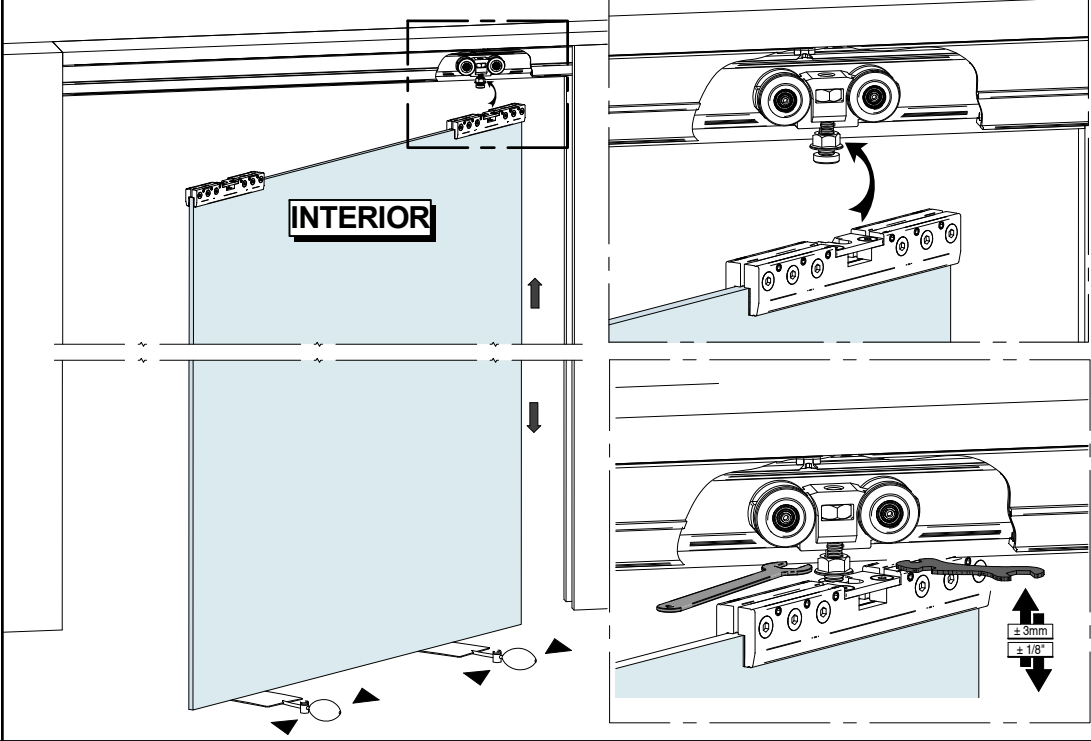
SECOND STEP: TIGHTEN CLAMP SCREWS



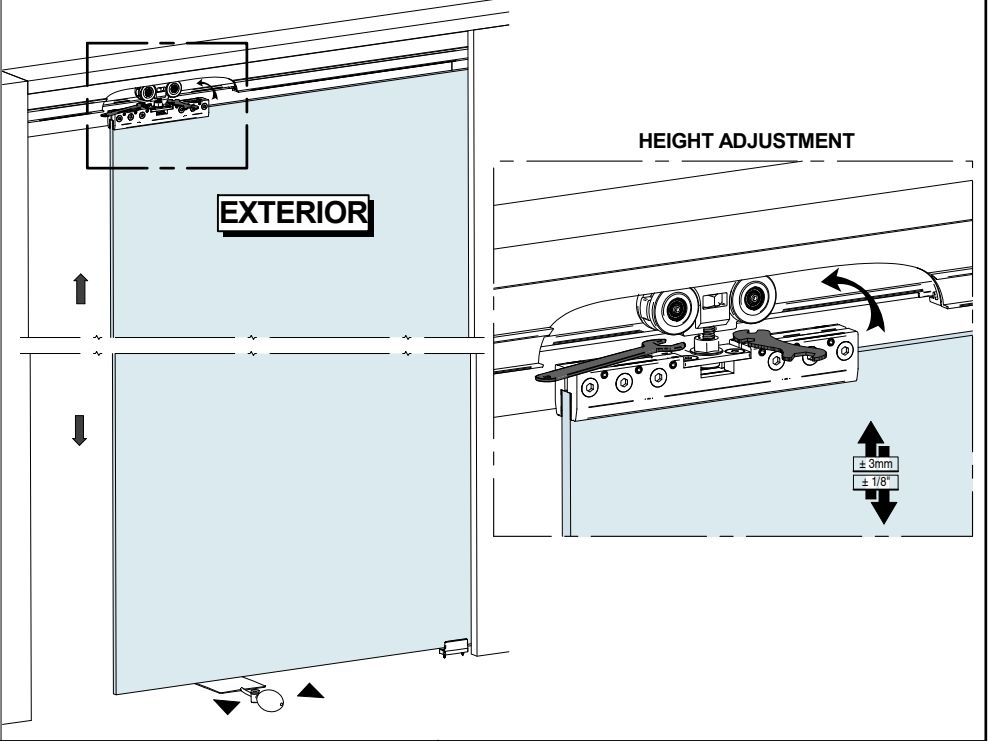
THIRD STEP: TIGHTEN GLASS THICKNESS SETTING SCREWS



12 INTERIOR SIDE DOOR ASSEMBLY

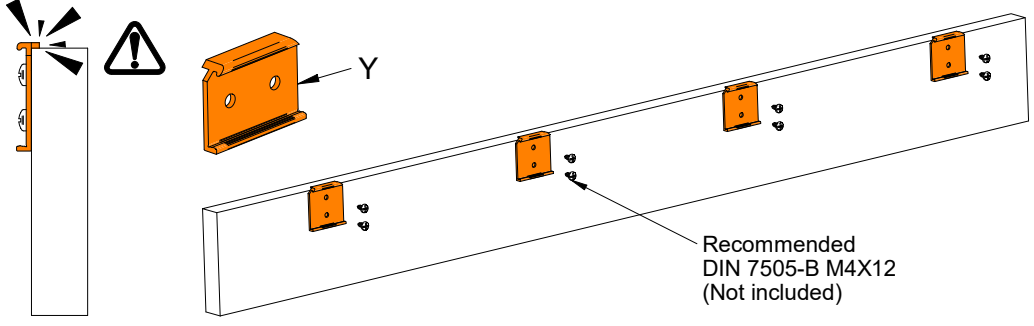


13 INTERIOR SIDE DOOR ASSEMBLY



14 FIX PLASTIC CLIPS TO WOODEN PELMET

3M (118")	8



15 CEILING MOUNT: COVER CLIPPING

