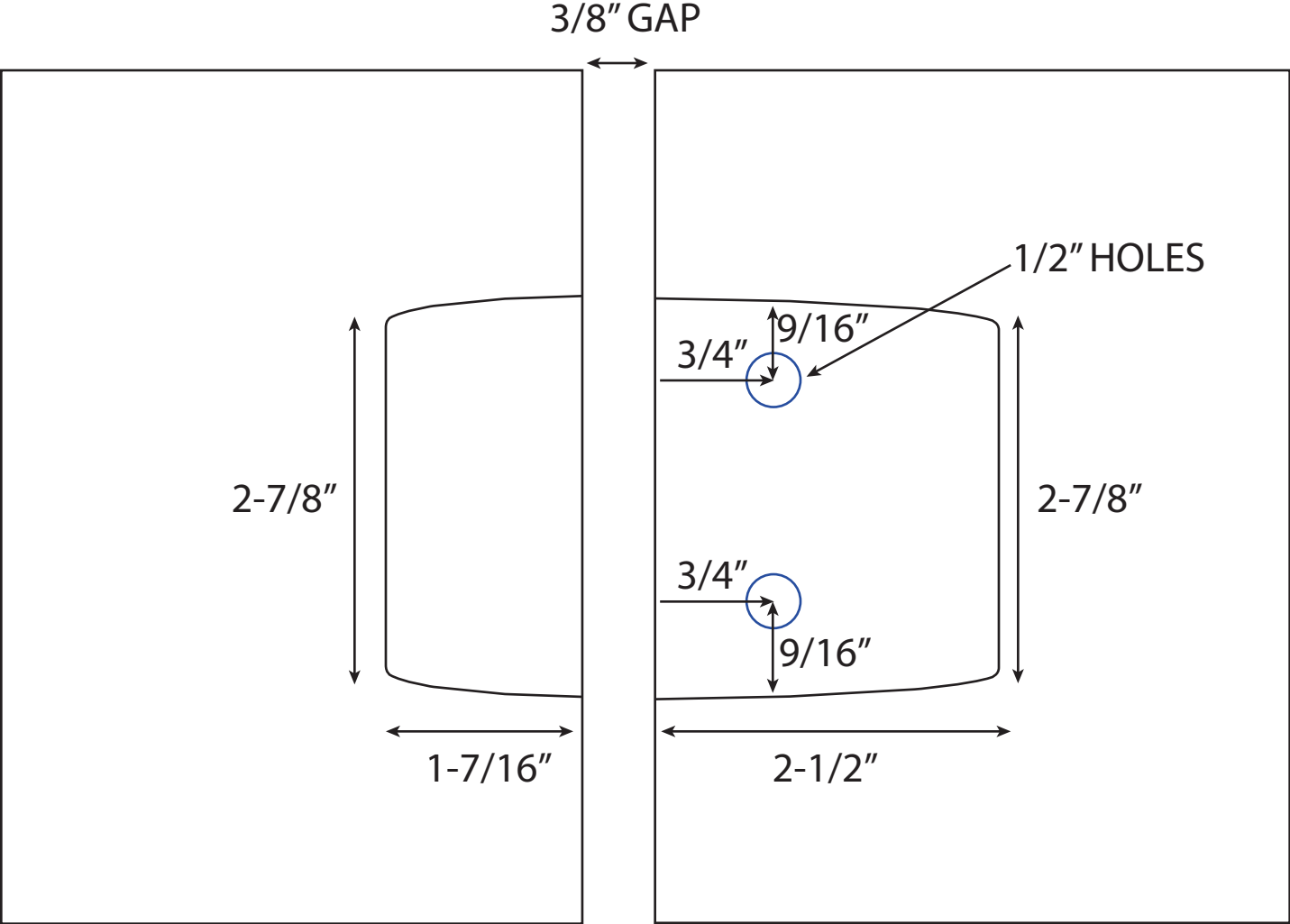


GH180



ALL HOLE MEASUREMENTS ARE TO THE CENTERS

