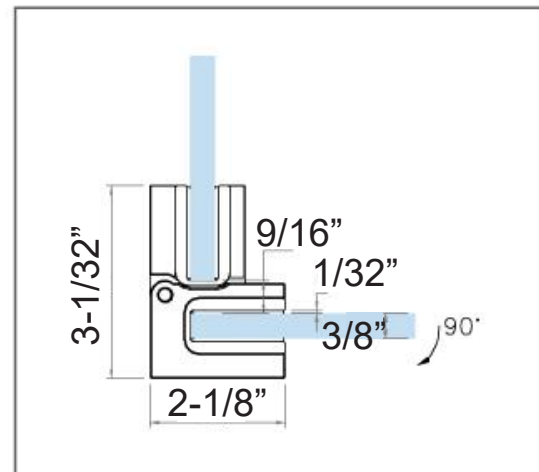
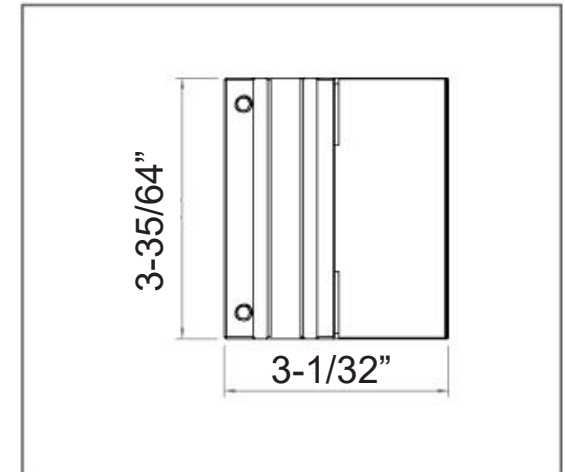
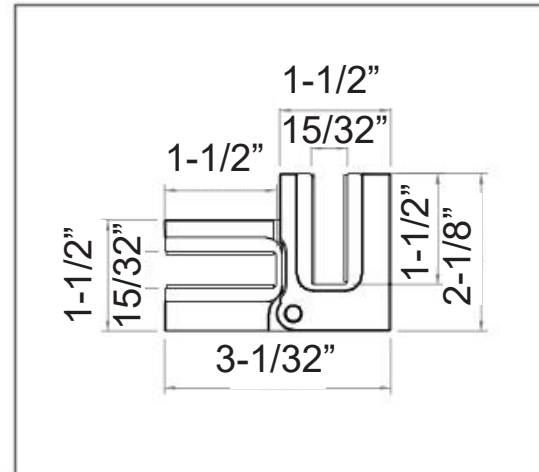




Glass to Glass 90° Hinge

SKU: NKB092



Features

Maximum Door Weight for 2 Hinges:	160 lbs.
Maximum Door Width:	36"
Material:	Brass
Glass Thickness:	3/8"
Closed Adjustment:	1° to 3°
Door Stopper to be used on installation is required.	